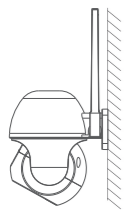


## Installation instructions

1. Take out all accessories and arrange them in order
2. Refer to the bracket size, drill two holes on the installation area, such as the wall, ceiling etc. Fix the mounting bracket on the installation area, screw in the 2 screws to secure to the base.
3. Align the bottom of the camera's main body, and aim to the right angle. Then rotate and snap it into the base until it is completely fixed.
4. Insert the Type C end into the camera interface. Finally insert the adapter into the socket, then the device will power on.



## Frequently Asked Questions

### 1 Can I share with family and friends?

Yes, you can share your cameras with family and friends who will have access to view the camera and control your bulbs, plugs, and other devices. In the app, press the Profile button and click on the "Home Management" button, and you will be able to give or revoke sharing permissions. In order to share, the other user should already have downloaded the app and registered a new account.

### 2 What's the Wireless Range?

The range of your home WiFi is heavily dependent on your home router and the conditions of the room. Check with your router specifications for exact range data.

### 3 How many cameras can I control?

Starfish App can control an unlimited amount of devices in an unlimited amount of locations. Your router may have a limit of how many devices can be connected to one router.

### 4 My device can't be connected to network with App

- Make sure the device is under the config status (indicator light is flashing quickly)
- Make sure the WiFi is available and not too far away from router
- Make sure the WiFi password you input is correct

### 5 My device shows offline in my App

- Make sure the device is powered on
- Make sure the network is stable and the WiFi name and password not modified. If not, add device again.
- If the network is normal, but it's still offline. Check if there are too many WiFi connections. You can restart your router to check the status of the device.

## Technical Specifications

Audio: internal Speaker and Microphone

Storage: supports up to 128G Micro SD card (32GB SD Card included)

WiFi: IEEE 802.11b/g/n, 2.4GHz(not compatible with 5GHz WiFi networks)

Indicator lamp :

1. Power on indicator light: The blue light remains on a few seconds ;
- 2 Enter the pairing network and waiting for the pairing network status: blue light flashing quickly;
3. Paring process: Blue light flashing slowly;
4. After successful network pairing: the blue light goes out;

\*.Only some indoor cameras support indicator lights and others sound a prompt tone, please refer to the actual product.

## warning

Federal Communications Commission (FCC) Declaration of Conformity

FCC Caution: Any changes or modifications not expressly approved by the party responsible for compliance could void the user's authority to operate this equipment.  
This device complies with Part 15 of the FCC Rules. Operation is subject to the following two conditions: (1) This device may not cause harmful interference, and (2) this device must accept any interference received, including interference that may cause undesired operation.  
Note: This equipment has been tested and found to comply with the limits for a Class B digital device, pursuant to part 15 of the FCC Rules. These limits are designed to provide reasonable protection against harmful interference in a residential installation. This equipment generates, uses and can radiate radio frequency energy and, if not installed and used in accordance with the instructions, may cause harmful interference to radio communications. However, there is no guarantee that interference will not occur in a particular installation. If this equipment does cause harmful interference to radio or television reception, which can be determined by turning the equipment off and on, the user is encouraged to try to correct the interference by one or more of the following measures:  
—Reorient or relocate the receiving antenna.  
—Increase the separation between the equipment and receiver.  
—Connect the equipment into an outlet on a circuit different from that to which the receiver is connected.  
—Consult the dealer or an experienced radio/TV technician for help.  
Radiation Exposure Statement  
This equipment complies with FCC radiation exposure limits set forth for an uncontrolled environment. This equipment should be installed and operated with minimum distance 20cm between the radiator and your body.

The device could be used with a separation distance of 20cm to the human body.

## English Warning Statement:

"This device complies with Industry Canada license-exempt RSS standard(s). Operation is subject to the following two conditions: (1) this device may not cause interference, and (2) this device must accept any interference, including interference that may cause undesired operation of the device."

## French Warning Statement:

"Le présent appareil est conforme aux CNR d'Industrie Canada applicables aux appareils radio exempts de licence. L'exploitation est autorisée aux deux conditions suivantes : (1) l'appareil ne doit pas produire de brouillage, et (2) l'utilisateur de l'appareil doit accepter tout brouillage radioélectrique subi, même si le brouillage est susceptible d'en compromettre le fonctionnement."

## Radiation Exposure Statement:

This equipment complies with Canada RF exposure limits set forth for an uncontrolled environment. This equipment should be installed and operated with minimum distance 20cm between the radiator & your body.

Cet appareil est conforme aux limites d'exposition aux rayonnements de l'IC établies pour un incontrôlé environnement. L'appareil doit être installé et utilisé avec une distance minimale de 20cm entre le radiateur et votre corps.



## Smart Outdoor Pan & Tilt Camera User Manual

Model : 65-925

Please read this User Manual carefully before use

Thank you for purchasing the Smart Outdoor Pan & Tilt Camera. Get started using your new devices by downloading Starfish App, one convenient app that manages everything straight from your phone. Easily connect to your home WiFi and control multiple devices from the touch of your fingertips

## What's in the Box

- Smart Camera x1
- User Manual x1
- Mounting Bracket x1
- Corded power adapter x1
- Screw bag x1

## Connect to your Network

- Have your WiFi Network and Password available.
- Make sure your mobile device is running iOS® 9 or higher or Android™ 4.1x or higher
- Make sure you're connecting to a 2.4GHz WiFi network (Cannot connect to 5GHz Networks)

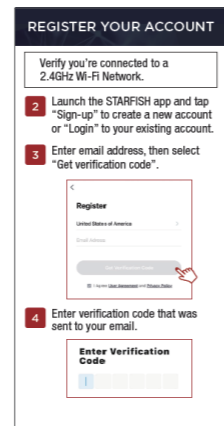
### 1 Download the Starfish App from App Store or Google Play.

DOWNLOAD THE STARFISH APP



(App design is subject to change without notice.)

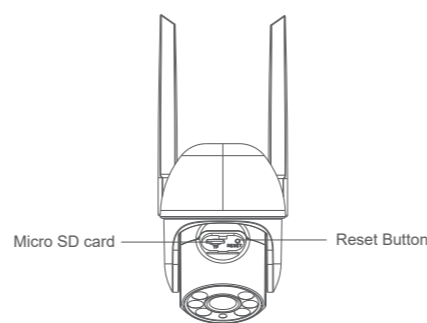
### 2 Register an account on your Starfish App



### 3 Plug in the Camera to power it up.

#### How do I reset my device?

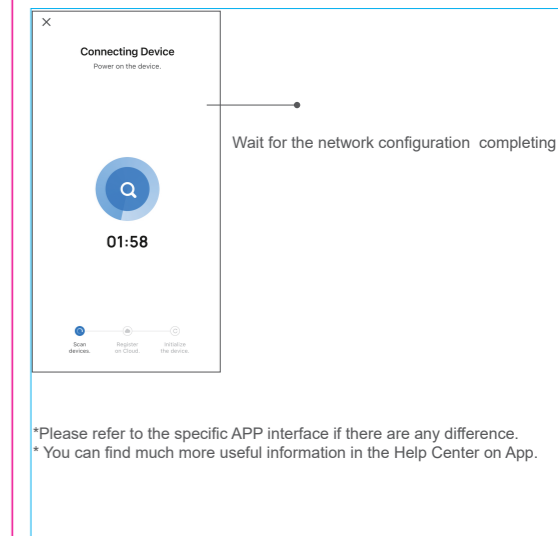
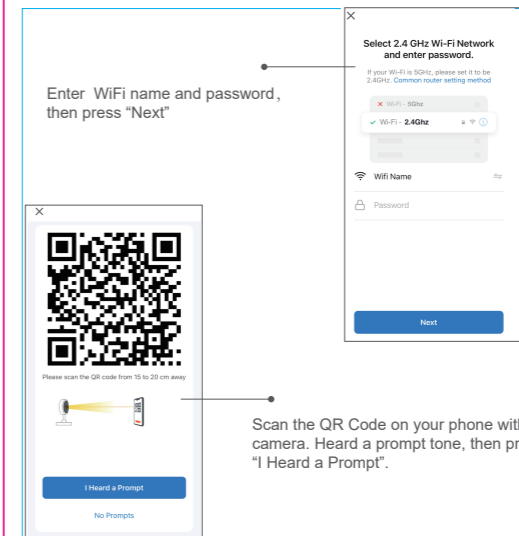
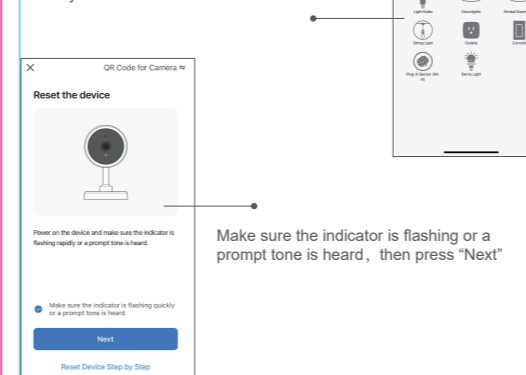
- Manually rotate the camera up to locate the Reset Button. Press the Reset Button (as Pic 1) for several seconds until camera starts to beep.
- **Optional:** Insert Micro SD card as shown in Pic 1 (if not pre-installed).



Pic 1

### 4 Add device-Scan QR code mode

Make sure WiFi is available and connected to the Internet. Connect the camera to the power, then system startup completed. Open Starfish App, click "+" on the top right corner of the page "HOME", then select "Outdoor Security Cameras".



\*Please refer to the specific APP interface if there are any difference.  
\* You can find much more useful information in the Help Center on App.