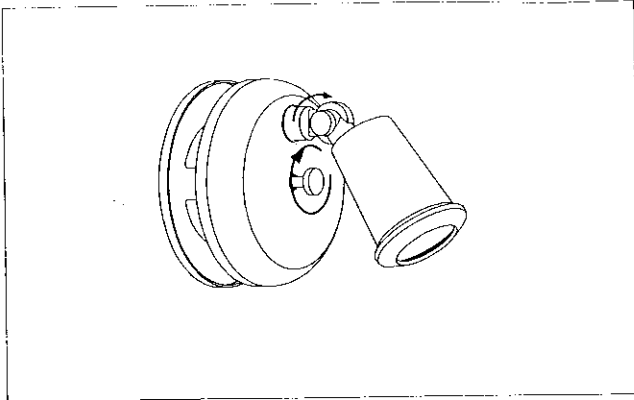


# Quick Mount

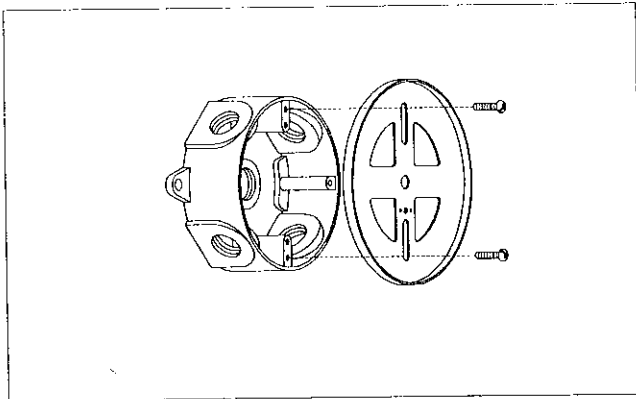
## 1 LIGHT PAR FLOOD INSTALLATION INSTRUCTION

SUITABLE FOR OUTDOOR / INDOOR

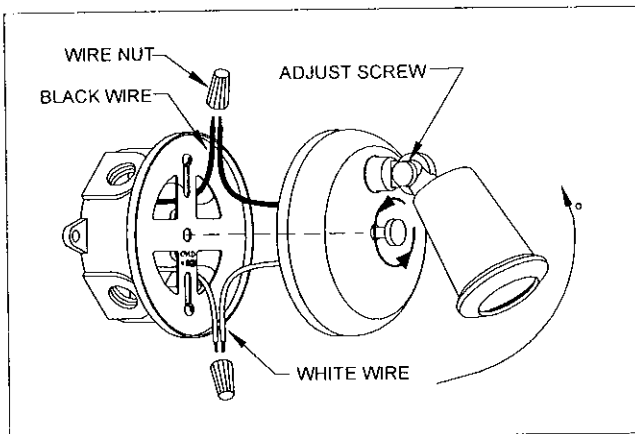
76-682 / 76-683



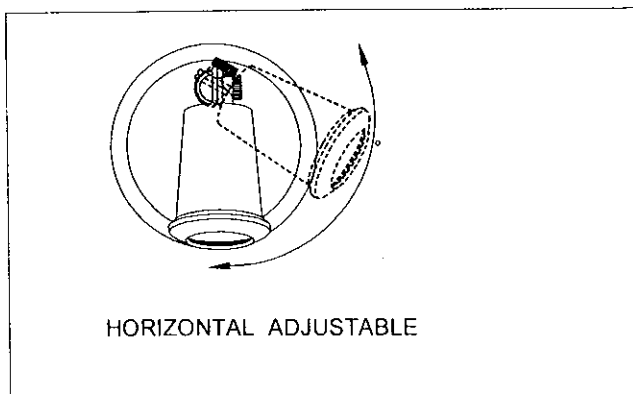
- Turn off power
- To loosen the center screw



- Attached backplate to junction box



- To connect power and install canopy to backplate



- To adjust PAR holder face down and the direction what you want to be...
- Turn on power.