

**FOR YOUR SAFETY**

**WARNING:** BE SURE THE ELECTRICITY TO THE WIRES YOU ARE WORKING ON IS SHUT OFF; EITHER THE FUSE IS REMOVED OR THE CIRCUIT BREAKER IS SHUT OFF.

**GENERAL**

You don't need special tools to install this fixture. Be sure to follow the steps in the order given. Under no circumstances should a fixture be hung on house electrical wires, nor should a swag type fixture be installed on a ceiling, which contains a radiant type heating system. Read instructions carefully. If you are unclear as to how to proceed, consult a qualified electrician.

**NOTE:** Proper wiring is essential for the safe operation of this fixture.

**FIXTURE ASSEMBLY**

Carefully removed the fixture from the carton and check that all parts are included as shown in figure. Be careful not to misplace any of the screws or parts, which are needed to install this fixture.

**INSTALLATION**

- IMPORTANT:** Do not attach fixture directly to outlet box.
- STEP 1:** Secure mounting bar (A) to the outlet box with outlet box screws (D).
- STEP 2:** Thread nut (C) onto the nipple (H), insert lock washer (B) then thread the nipple (H) into the mounting bar.
- STEP 3:** Raise the nipple (K) allowing for the nipple to protrude through the hole in the canopy (J), insert lock washer (I), terminal ground (G), lock washer (F) onto the nipple (K) then secure with nut (E).

**GROUNDING INSTRUCTIONS**

**STEP 1:** Insert the green grounding screw into the hole with two raised dimples on the mounting bar. Wrap the ground wire from the fixture (if supplied) around the green grounding screw, then connect it to ground wire from the outlet box (if not fixed on the outlet box) using a wire connector (not supplied). If ground wire from the fixture is not supplied, wrap the ground wire (if not fixed on the outlet box) from the outlet box around the green grounding screw and tighten it.

**NEVER CONNECT GROUND WIRE TO BLACK OR WHITE POWER SUPPLY WIRES.**

**STEP 2:** Take note of the color of the wire(s) on your fixture. Identify which group your fixture wire(s) falls into and connect the wires according to the directions below:

GROUP A: Connect to Black House Wire	GROUP B: Connect to White House Wire
BLACK	WHITE
*PARALLEL WIRE (round & smooth)	*PARALLEL WIRE (square & ridged)
WHITE OR GREY WITH TRACER	WHITE OR GREY WITHOUT TRACER
BROWN GOLD OR BLACK WITHOUT TRACER	BROWN, GOLD OR BLACK WITH TRACER

\*NOTE: When parallel wire (SPT-1 & SPT-2) is used, the tracer wire is square shaped or ridged and the less tracer wire is round in shape or smooth (seen best when viewed from wire end.)

- STEP 3:** Take your fixture wire(s) from group A and place evenly against the black wire from the outlet box. Do NOT twist wires together before using wire connectors.
- STEP 4:** Fit a wire connector over the wires and screw the connector clockwise until you feel a firmness.

- STEP 5:** Try gently to pull the connector off the wires. If you can pull the connector off, carefully re-do steps 3 and 4, as above, and check again for a firm connection.
- STEP 6:** Connect the fixture wire from group B to the white wire from the outlet box in the same manner. Make sure no bare wires can be seen outside wire connectors.

**FINAL ASSEMBLY**

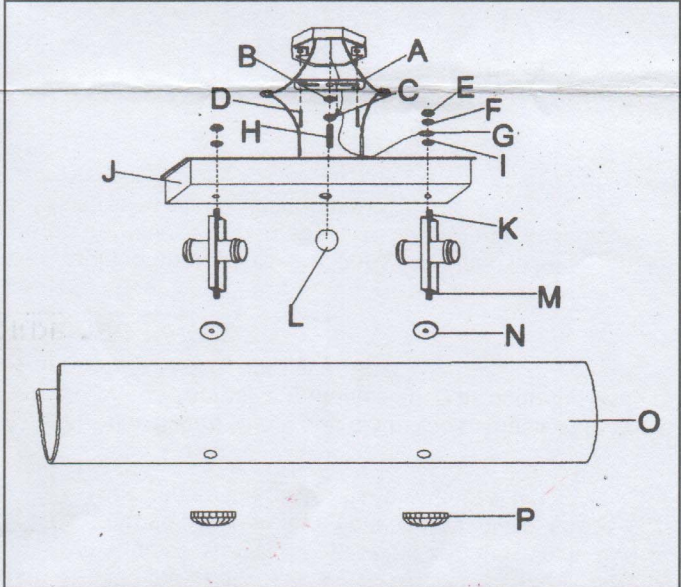
- STEP 1:** After wires are connected, tuck them carefully inside outlet box. Raise the canopy (J) to the outlet box, allowing for nipple (H) to protrude through the hole in canopy (J). Secure the canopy (J) with finial (L).
- STEP 2:** Install lamps. (Please do not exceed the maximum capacity recommended on the socket.)
- STEP 3:** Slide the plastic washer (N) over the nipple (M). Raise the glass shade (O) allowing for the nipple (M) to protrude through the hole in the glass shade (O). Then secure the glass shade with finial (P).

**CLEANING**

To clean, wipe fixture with a soft cloth. Clean glass with a mild soap. Do not use abrasive materials such as scouring pads or powders, steel wool or abrasive paper.

**ORDERING PARTS**

Keep this sheet for future reference, and in case you need to order replacement parts. All parts for this fixture can be ordered from place of purchase. Be sure to use exact wording from illustration when ordering parts.



Item No.: SF77-088/991