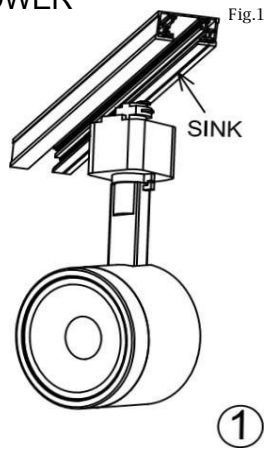


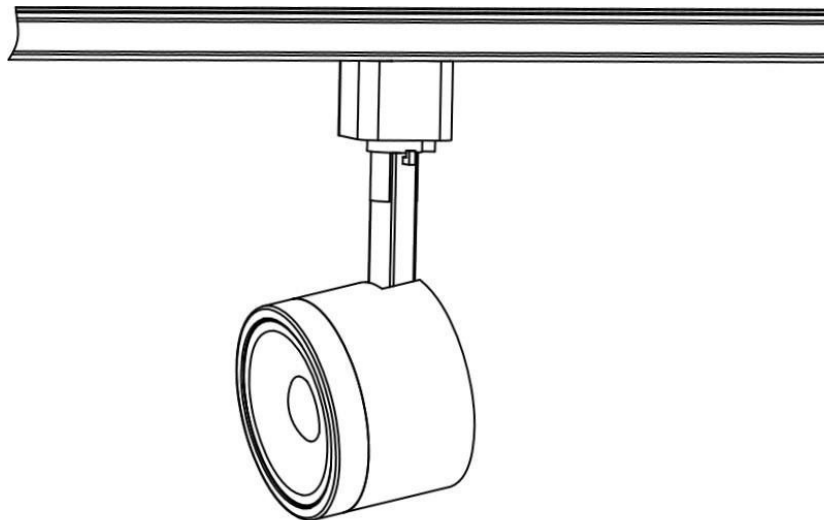
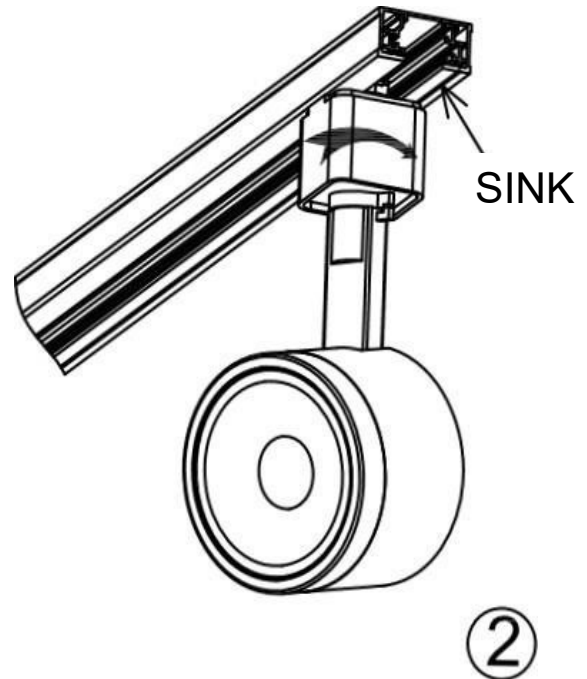
INSTALLATION INSTRUCTIONS

TURN OFF POWER



Installation for Satco/Nuvo Track: (Fig.1)

1. The track has a groove (Sink) running its length to indicate polarity and the locking tab has an arrow indicating locking direction.
2. Insert adapter into track slot. The arrow should point away from the grooved (Sink) side of the track.
3. Push up and rotate the adapter into the lock position.
4. Reverse procedure to remove. The fixture may be positioned anywhere along the track.



***PLEASE
NOTE: TRACK
HEAD MODEL
PICTURED
MAY DIFFER
FROM ACUTAL
MODEL
RECEIVED.**