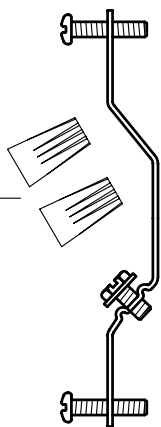


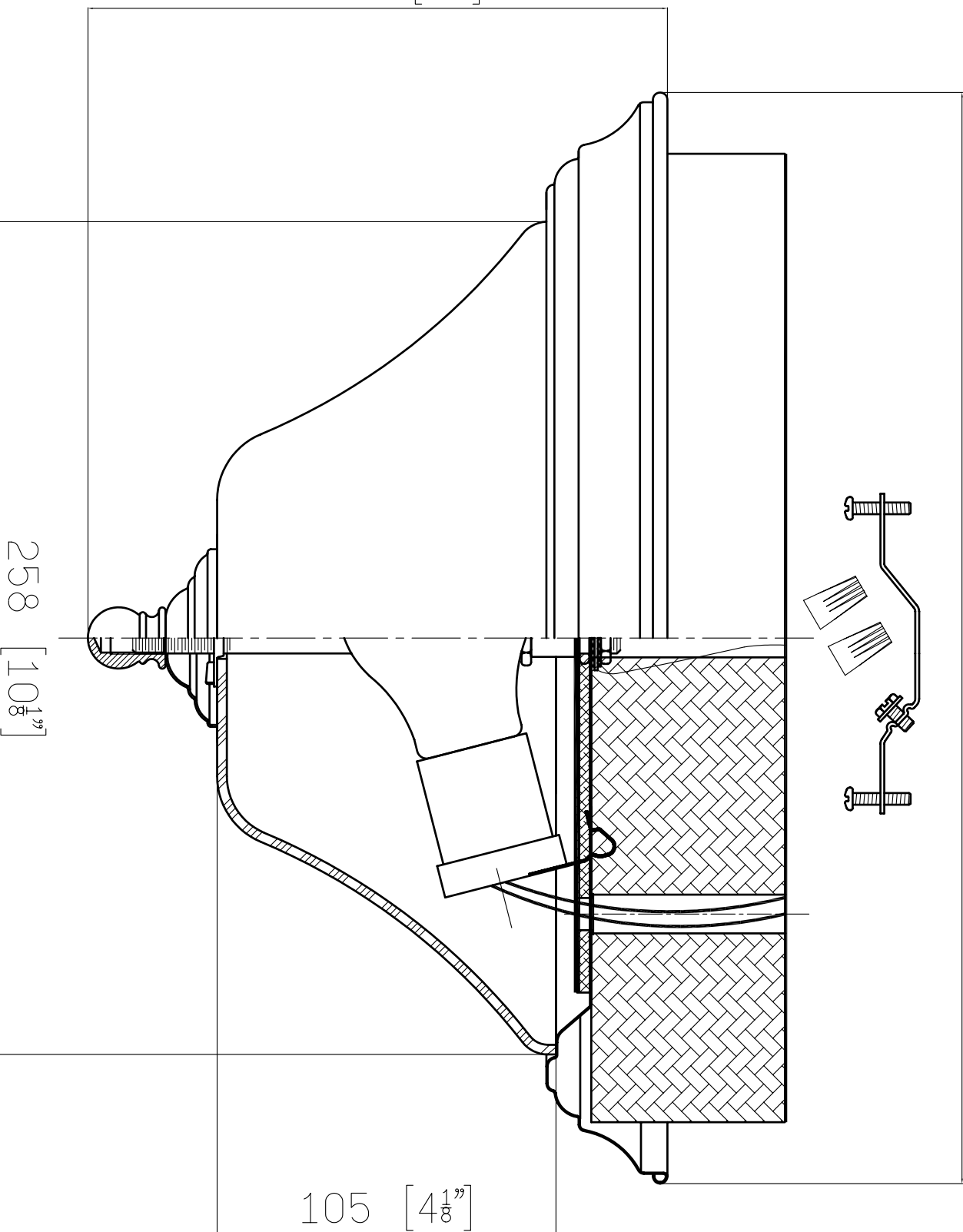
60-1825 / 60-1845 EFFE1012-2

338 [13 $\frac{1}{4}$ "]



179.5 [7 $\frac{1}{8}$ "]

105 [4 $\frac{1}{8}$ "]



258 [10 $\frac{1}{8}$ "]

