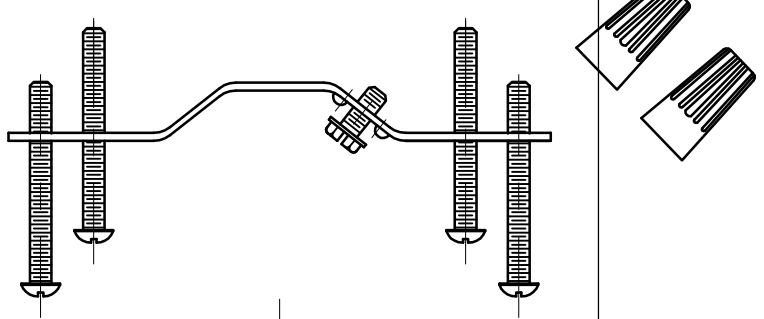


$\phi 120$ [4 3/4"]



STEEL

180 [7 1/8"]

152 [6"]

GLASS

$\phi 150$ [$\phi 5$ 7/8"]

