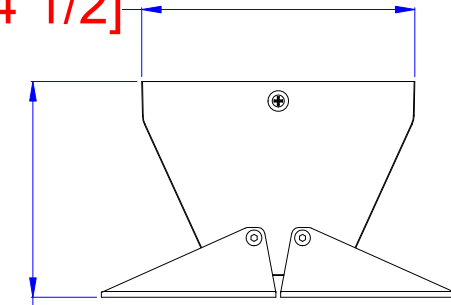
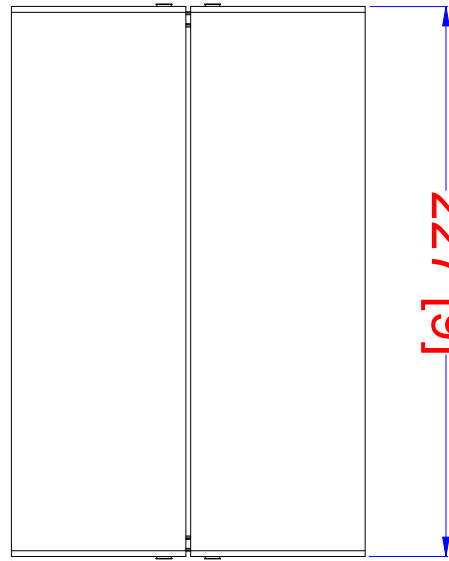


112.7 [4 1/2]



89 [3 1/2]



227 [9]

146 [5 3/4]

