

# Operation manual

## 11"14"LED Flush mount light

Models :62/545,62/546,62/547, 62/548

With Integrated Dimmable Driver



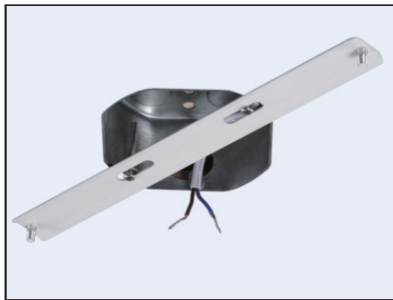
Thank you for purchasing our product. This fixture has been manufactured from components with advanced optoelectronics to ensure high reliability and long life. Before assembling please read this Operation Manual carefully and save in a safe place for future reference. Please note that all electrical connections must be in accordance with local and National Electrical Code standards as well as local building codes. In case you are not familiar with proper wiring connections and building codes, consult a qualified electrician.

### Safety recommendations

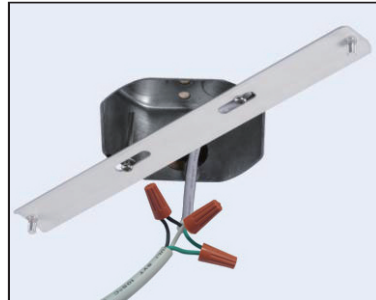
1. RISK OF ELECTRIC SHOCK – THIS PRODUCT MUST BE INSTALLED IN ACCORDANCE WITH APPLICABLE INSTALLATION CODES BY A PERSON FAMILIAR WITH MENTIONED ABOVE CODES AND HAZARDS INVOLVED. DISCONNECT POWER AT CIRCUIT BREAKER OR FUSE BEFORE INSTALLING OR SERVICING.
2. Before use of the product carefully read the whole Operation Manual.
3. THE PRODUCT IS PURPOSED FOR INTERIOR USE ONLY, SUITABLE FOR DAMP LOCATIONS.
4. Protect the product against direct contact with water.
5. Assemble the product only with the use of parts provided and the housing; improper assembly may result in device failing which could damage the product, personal property or cause injury.
6. Assembly shall follow with accessories delivered with the set only.
7. The device is not a toy, KEEP OUT OF REACH OF CHILDREN.

### Specifications:

Models: 62/545,62/546,62/547, 62/548  
 Operating Voltage:120VAC  
 Dimming: Triac  
 Power consumption: 12.5W/16.5W  
 Color Temp.: 2700K/3000K/4000K/5000K  
 Life span: 40,000h  
 Illumination authorization <5%  
 per 10,000h



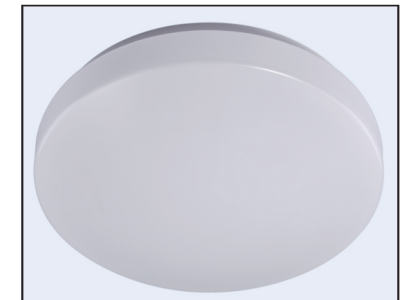
**Step 1**  
Attach installation bracket to junction box by two screws (provided)



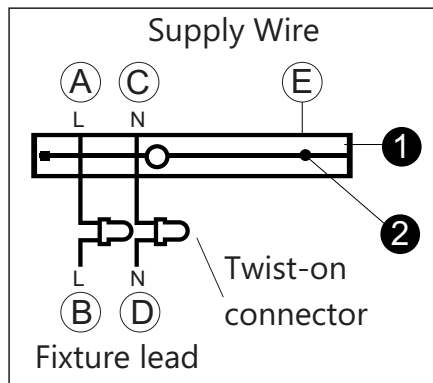
**Step 2**



**Step 3**  
Attach base of fixture to mounting bracket using two nuts (provided)



**Step 4**  
Align slots on the cover with the tabs in the base and twist



1. Connect live supply wire (A) (typically black or the smooth, unmarked side of the two-conductor cord) to live fixture lead (B) with appropriately sized twist on connector.
2. Connect neutral supply wire (C) (typically white or the ribbed, marked side of the two-conductor cord) to neutral fixture lead (D).
3. For positive grounding in a 3-wire electrical system, fasten the fixture ground (E) (typically copper or green plastic coated) to the fixture mounting strap (1) with the ground screw (2).

### Dimming

This product is compatible with most residential type dimmers available on the market. The dimming performance will depend on kind of dimmer and dimmer settings. Visit [Satco.com](http://Satco.com) for an up to date list of compatible dimmers.

### Cleaning

- Clean with a soft or damp cloth. While cleaning with the damp cloth make sure the power is off.
- Do not clean with liquids or abrasives.

### 5 Year limited warranty

The purchased product is covered with a 5 year warranty in respect of any defect in material or workmanship after purchase date.

Satco shall bear no responsibility on account of guarantee, as well as shall bear no liability for any faults, in case of improper operation, use negligence, accident or exposure to natural hazard, or excessive use over the limits specified for the unit, or if any unauthorized alteration or repair followed.