

# INSTALLATION INSTRUCTIONS

## IMPORTANT

Before assembling your access lighting fixture, please make sure that you carefully read through these instruction sheets. Consider having your fixture installed by a qualified licensed electrician.

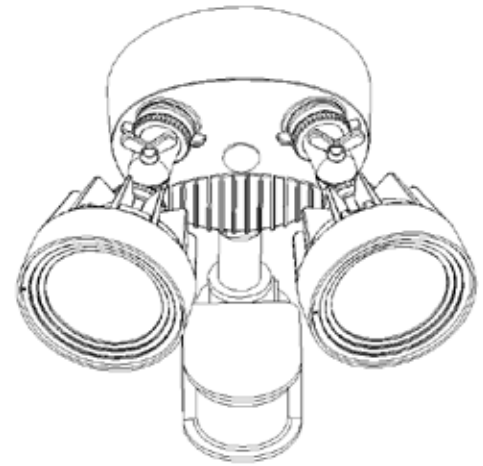
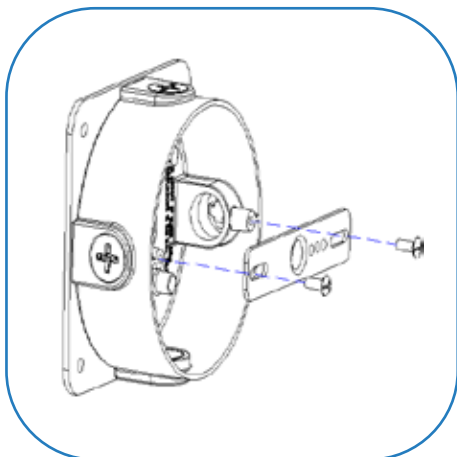
**NOTE:** The important safeguards and instructions that appear in this manual are not meant to cover all possible conditions and situations that may occur. It must be understood that common sense, caution and care, are factors that can't be built into any product. These factors must be supplied by the person(s) caring for and operating the fixture.

## GENERAL INFORMATION

All electrical connections must be in accordance with all ordinances, Local and National Electrical Codes. These fixtures are intended for mounting to a standard 4" x 2 1/2" metal octagon outlet box. The box must be directly supported by the building structure and U.L. Recognized.

## STEP BY STEP INSTRUCTIONS

Before starting your installation disconnect the Power by turning off the Circuit Breaker or by removing the fuse at the fuse box. Just turning the light off at the light switch is not sufficient to prevent electrical shock.



**COLLECTION**  
GUARDIAN

**APPLICATION**  
OUTDOOR

**MODEL NO.**  
20785LED

## WHAT WE PROVIDE

- Mounting Hardware
- Crossbar Plate
- Gasket
- LED

## WHAT YOU NEED

- Screwdriver
- Wire Cutters
- Wiring Supplies as Specified by Electrical Code

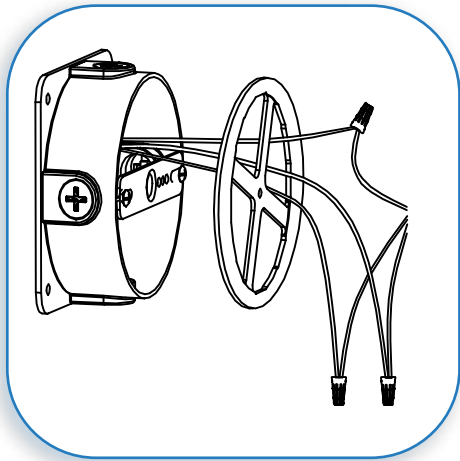
# 1

## PREPARE FIXTURE AND MOUNT CROSSBAR PLATE

If there is an existing fixture remove it.

Expose the supply wires from the J-box.

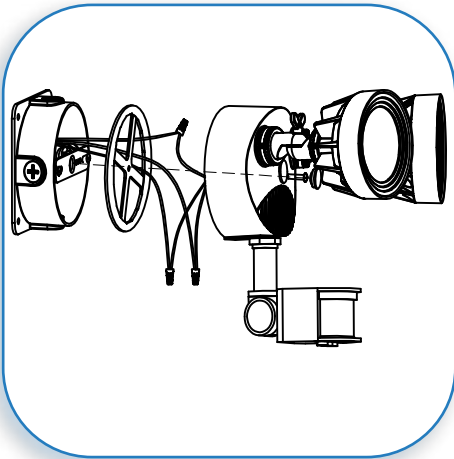
Mount the crossbar plate to the J-box with the supplied screws.



2

**MAKE WIRE CONNECTIONS**

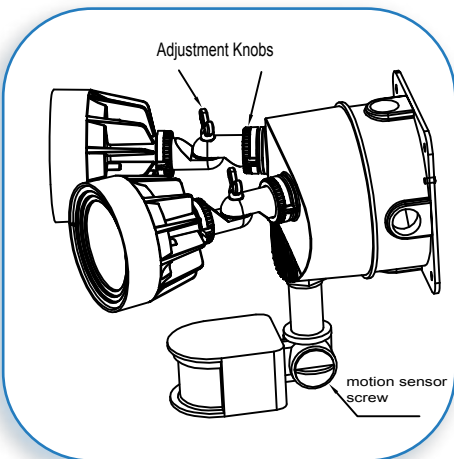
Gently pull the supply wires through the hole in the gasket. Connect the black supply wire to the black fixture wire. Secure with the supplied wire nuts. Connect the white supply wires to the white fixture wire. Secure with the supplied wire nuts. Either wrap the green wire around one of the protruding screws or connect it to the supply ground wire. Secure all wires with electrical tape (not supplied). Tuck all wires carefully into the J-Box.



3

**MOUNT FIXTURE TO CROSSBAR PLATE**

Position the fixture over the crossbar plate. Align the holes in the centre of the crossbar plates and secure with the supplied screw and rubber cover.



4

**Adjust the light angle by knob.**  
**Adjust the motion sensor range by screw**

**RESTORE THE ELECTRICITY AND CHECK THE OPERATION OF YOUR NEW ACCESS FIXTURE**

Note:

- Lamp heads must be positioned above motion sensor head and controls on motion sensor must face the ground.
- Aim lamp heads and install optional visors
- Aim lamp heads at least 20° down below horizontal in order to prevent water from accumulating inside lens.
- Apply silicone caulking(not included) around the perimeter of the fixture where it contacts the mounting surface for moisture seal.
- After installing your motion activated light you are ready to set/aim the motion sensor. Make sure the wall switch is in ON position
- Do NOT use with dimmers or timers or on multiple switch circuits.
- Do NOT Install on the same circuit with an electric motor(i.e. Appliances, HVAC equipment, washer/dryer garage door openers, etc.)

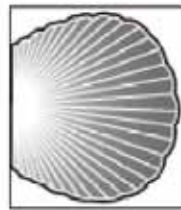
SENSITIVITY DATA :

Time setting: Min 5sec Max 9min±1min ;

Detection angle : 180° ;

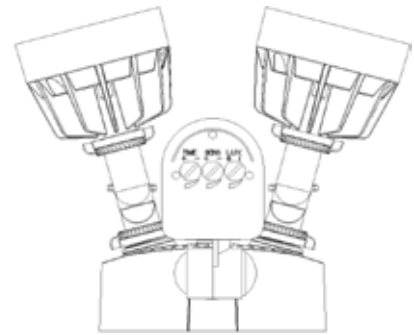
Detection range : 12m (22~24°C) ;

Light-control:<10LUX~2000LUX ;



12m

Correct moving orientation



TEST

1. After installation, please turn anti-clockwise the sensitivity knob(SENS) to the end and turn anti-clockwise the time knob(TIME) to the end before you switch on the power.  
Turn the light-control knob(LUX) clockwise to the maximum value.
2. Switch on the power, the light can be on after 30ses. After it turns off, make it sense again after 5sec.
3. If all are under good condition, with time adjustment knob the light period can be adjusted according to you desire, with light-contorl knob ambient-light can be adjusted,with sensitivity adjustment knob the detection distance can be adjusted.

Note

Avoid installing it under the sunshine or air stream and temperature alter obviously.

Avoid impacting the lens device with sharp things and coarse pollutant.