

A

B

C

D

E

F

F

F

E

E

D

D

C

C

B

B

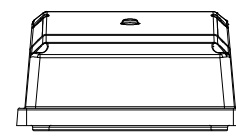
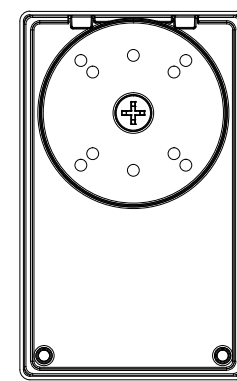
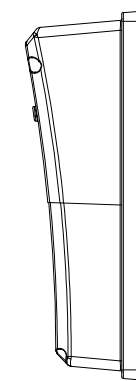
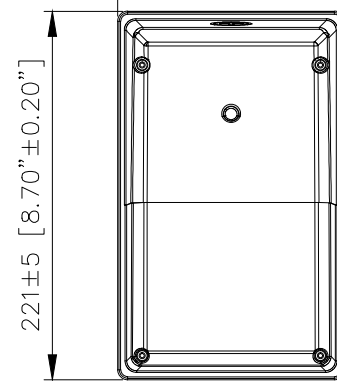
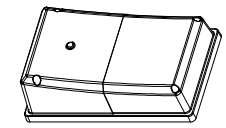
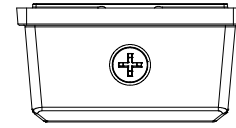
A

A

71±5 [2.79"±0.20"]

136±5 [5.35"±0.20"]

221±5 [8.70"±0.20"]



A

B

C

D

E

F