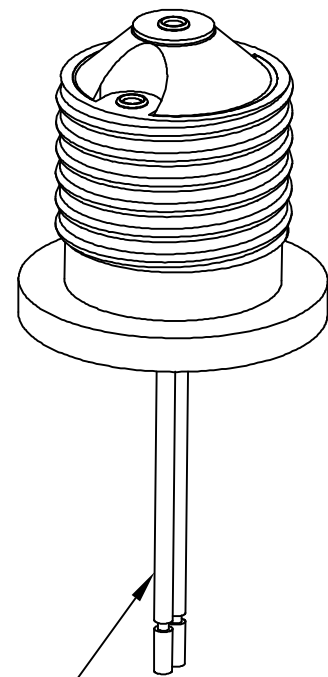
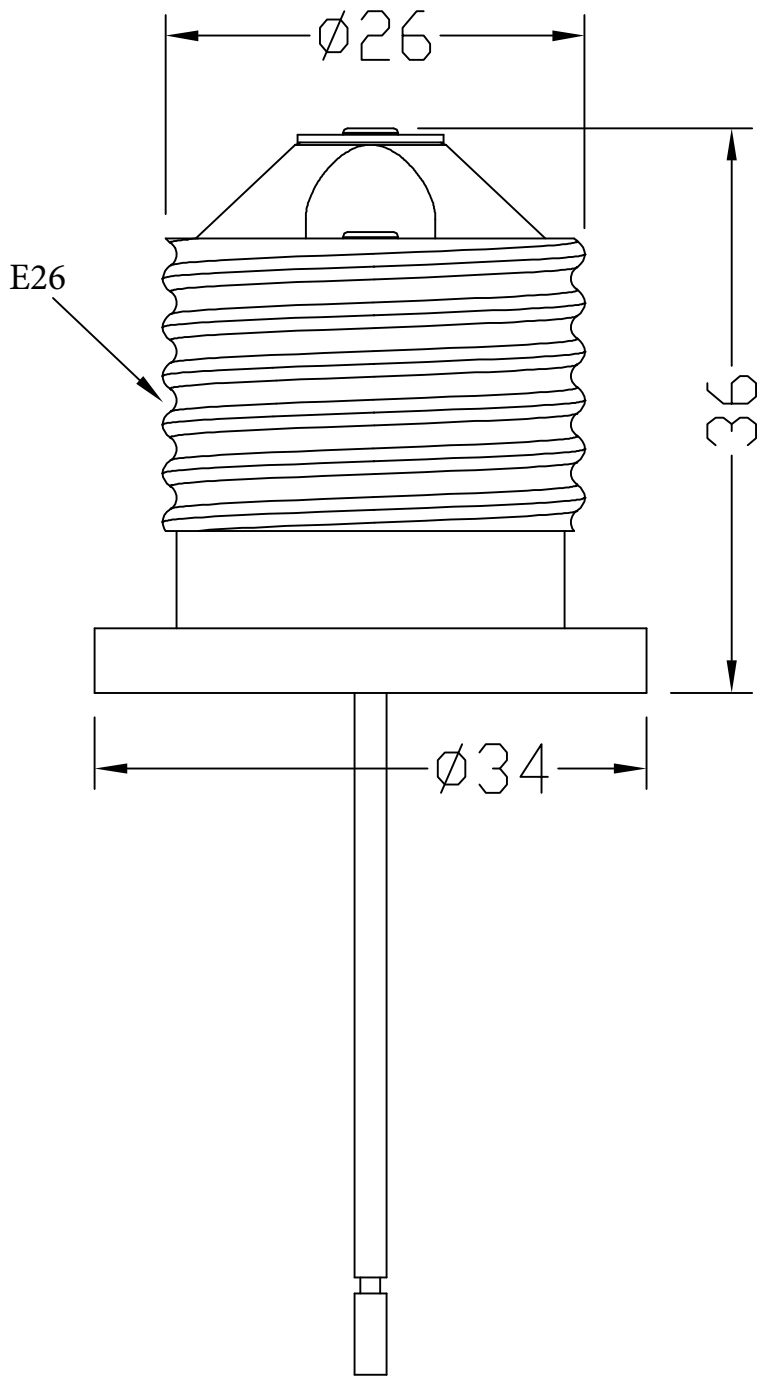


REV	DATE	DESCRIPTION	80-1970
1.0	2012.4.26		



105C 18# \*11"B/W12MM

250V 660W