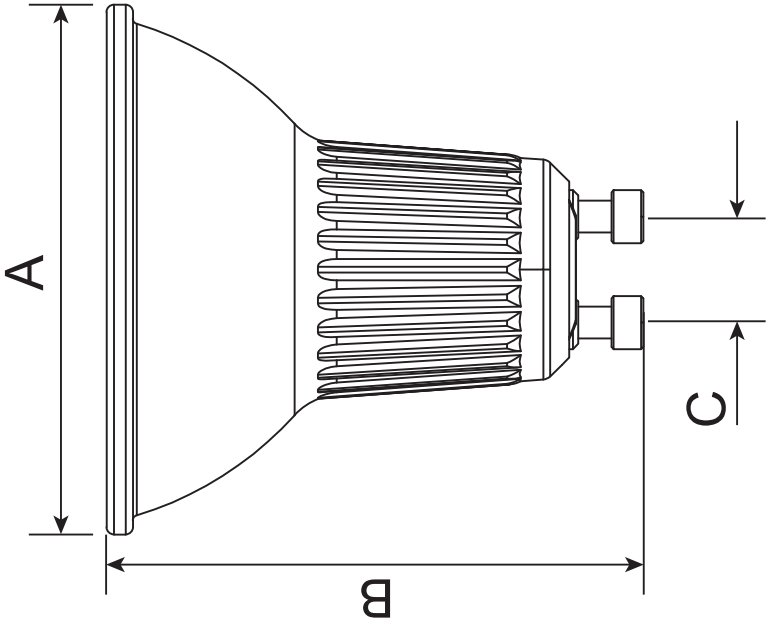


Drawing/Picture S12371, S12372, S12373, S12374, S12375



Item	Rated Value	Tolerance	Unit
Length L (In) B	2.047	±0.118	In
Diameter (In) A	1.969	±0.024	In
Based diameter C	0.394	±0.008	In