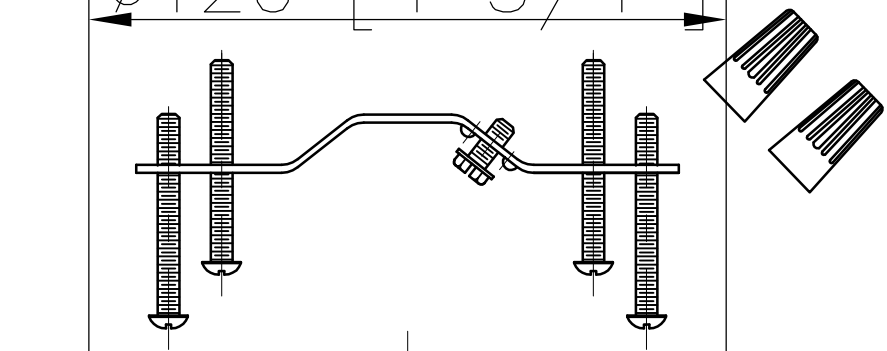


$\phi 120$ [4 3/4"]



STEEL

178 [7"]

151 [6"]

GLASS

$\phi 147.5$ [$\phi 5$ 3/4"]

