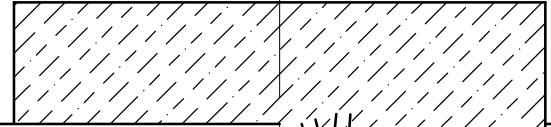
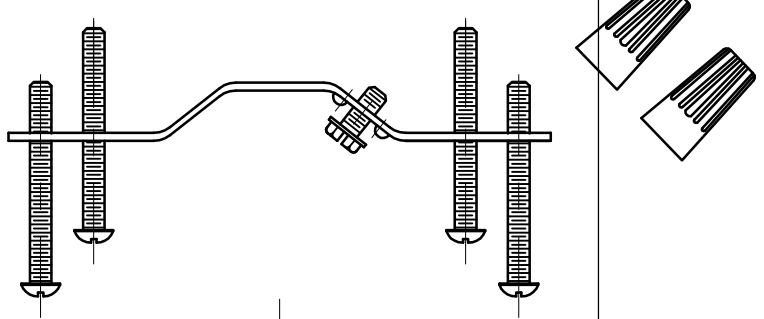


$\phi 120$  [4 3/4"]



STEEL

179 [7"]

151 [6"]

GLASS

$\phi 148$  [ $\phi 5$  7/8"]

