

PRODUCT INFORMATION

14W LED Single head security light

With or without motion sensor

Applications

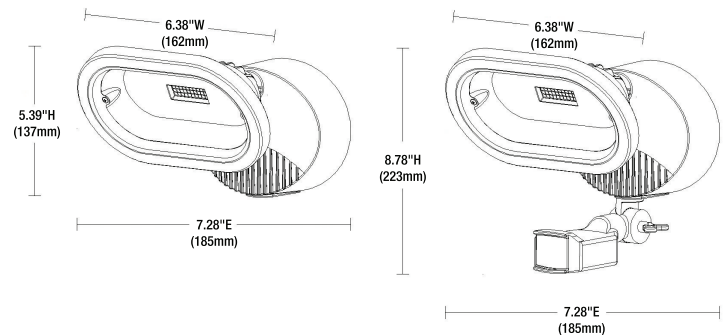
- Patio lighting
- Entrance lighting
- Driveways
- Yards
- Walkways

Features

- Bronze or white finish
- Single die-cast head with clear plastic impact resistant lens
- Wall mounted recessed junction box required
- Meets all product safety standards
- Suitable for wet locations
- 120-277V
- 3000K & 4000K
- 75+ CRI
- 50-70W MH Equivalent
- Operating temperature: -25°C to 40°C
- ENERGY STAR certified
- Long life—50,000 hours
- 5 Year warranty

Motion Sensor Specifications

- 1 Time setting: Min. 5 sec, Max. 9 min ± 1 min
- Detection angle: 180°
- Detection range: 12m (22~24)°C
- Light-control: 10LUX~2000LUX



14W LED Single Head Security Light

Item Number	Lamp Description	W	V	Finish	CRI	CCT	Lm	Bm	Life/Hrs.	UPC	Pk./Mstr.
65-105	Single Head Security Light	14	120-277	White	75+	4000K	1200	180°	50K	045923671050	4
65-106	Single Head Security Light w/Motion Sensor	14	120-277	White	75+	4000K	1200	180°	50K	045923671067	4
65-091	Single Head Security Light	14	120-277	Bronze	75+	4000K	1200	180°	50K	045923630910	4
65-092	Single Head Security Light w/Motion Sensor	14	120-277	Bronze	75+	4000K	1200	180°	50K	045923630927	4
65-205	Single Head Security Light	14	120-277	White	75+	3000K	1150	180°	50K	045923662058	4
65-206	Single Head Security Light w/Motion Sensor	14	120-277	White	75+	3000K	1150	180°	50K	045923662065	4
65-201	Single Head Security Light	14	120-277	Bronze	75+	3000K	1150	180°	50K	045923662010	4
65-202	Single Head Security Light w/Motion Sensor	14	120-277	Bronze	75+	3000K	1150	180°	50K	045923662027	4