

PRODUCT INFORMATION

24W LED Dual head security light

With or without motion sensor

Applications

- Patio lighting
- Entrance lighting
- Driveways
- Yards
- Walkways

Features

- Bronze or white finish
- Dual die-cast head with clear plastic impact resistant lens
- Wall mounted recessed junction box required
- Meets all product safety standards
- Suitable for wet locations
- 120-277V
- 3000K & 4000K options
- 75+ CRI
- 50-70W MH Equivalent
- Operating temperature: -25°C to 40°C
- ENERGY STAR certified
- Long life—50,000 hours
- 5 Year warranty

Motion Sensor Specifications

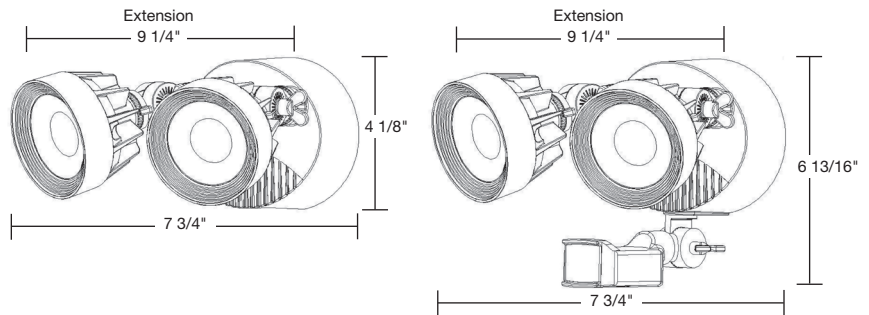
- 1 Time setting: Min. 5 sec, Max. 9 min ± 1 min
- Detection angle: 180°
- Detection range: 12m (22~24)°C
- Light-control: 10LUX~2000LUX



65-094



65-107



24W LED Single Head Security Light



Item Number	Lamp Description	W	V	Finish	CRI	CCT	Lm	Bm	Life/Hrs.	UPC	Pk./Mstr.
65-107	Dual Head Security Light	24	120-277	White	75+	4000K	2000	180°	50K	045923671074	4
65-108	Dual Head Security Light w/Motion Sensor	24	120-277	White	75+	4000K	2000	180°	50K	045923671081	4
65-093	Dual Head Security Light	24	120-277	Bronze	75+	4000K	2000	180°	50K	045923630934	4
65-094	Dual Head Security Light w/Motion Sensor	24	120-277	Bronze	75+	4000K	2000	180°	50K	045923630941	4
65-207	Dual Head Security Light	24	120-277	White	75+	3000K	1950	180°	50K	045923662072	4
65-208	Dual Head Security Light w/Motion Sensor	24	120-277	White	75+	3000K	1950	180°	50K	045923662089	4
65-203	Dual Head Security Light	24	120-277	Bronze	75+	3000K	1950	180°	50K	045923662034	4
65-204	Dual Head Security Light w/Motion Sensor	24	120-277	Bronze	75+	3000K	1950	180°	50K	045923662041	4