

PRODUCT INFORMATION

Linear LED T8, T5HO Type C system

Dedicated LED linear lamps and driver system with integral 0-10V dimming.

Applications:

Replacement of existing Linear Fluorescent lamps and ballast commonly found in commercial and industrial sites, and new installations.

Satco Type C systems include:

- Dedicated LED lamp and driver system
- DLC rated for use in utility programs



Note: Fluorescent lamps are not compatible with Type C drivers

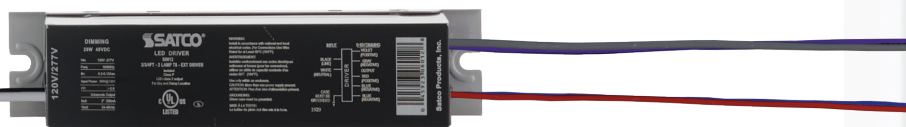
Linear LED T8, T5HO Type C system

Features:

- For retrofit and installation in new fixtures
- Driver footprint matches ballast footprint
- High efficiency
- Compatible with instant start wiring
- Low flicker design
- 120-277V, 0-10V Dimming
- 3000, 35000, 4000, 5000K
- 82 CRI
- All glass lamps, damp rated, DLC listed
- Built-in surge protection
- 50,000 hour life
- 5 Year warranty

Linear LED
T8 Type C

Linear LED
T5 Type C



S8012
1-2 Lamp driver



S8013
3-4 Lamp driver



S8014
1-2 Lamp driver



S8015
3-4 Lamp driver



Linear LED T8 Type C lamps

Item #	Lamp Description	W	CRI	Bulb Type	Base Type	Bm	CCT	Lm	M.O.L. (Inches)	Life/Hrs.	UPC	M/Case Qty
2FT												
S11930	8T8/LED/24-830/XD	8	82	LED	G13	220°	3000	1200	24.0	50,000	045923119309	25
S11931	8T8/LED/24-835/XD	8	82	LED	G13	220°	3500	1200	24.0	50,000	045923119316	25
S11932	8T8/LED/24-840/XD	8	82	LED	G13	220°	4000	1200	24.0	50,000	045923119323	25
S11933	8T8/LED/24-850/XD	8	82	LED	G13	220°	5000	1200	24.0	50,000	045923119330	25
3FT												
S11934	11T8/LED/36-830/XD	11	82	LED	G13	220°	3000	1600	36.0	50,000	045923119347	25
S11935	11T8/LED/36-835/XD	11	82	LED	G13	220°	3500	1600	36.0	50,000	045923119354	25
S11936	11T8/LED/36-840/XD	11	82	LED	G13	220°	4000	1600	36.0	50,000	045923119361	25
S11937	11T8/LED/36-850/XD	11	82	LED	G13	220°	5000	1600	36.0	50,000	045923119378	25
4FT												
S11938	12T8/LED/48-830/XD	12	82	LED	G13	220°	3000	1800	48.0	50,000	045923119385	25
S11939	12T8/LED/48-835/XD	12	82	LED	G13	220°	3500	1800	48.0	50,000	045923119392	25
S11940	12T8/LED/48-840/XD	12	82	LED	G13	220°	4000	1800	48.0	50,000	045923119408	25
S11941	12T8/LED/48-850/XD	12	82	LED	G13	220°	5000	1800	48.0	50,000	045923119415	25

LED T8 Type C drivers

Item #	Description	Lamps driven	V in	V out	Current in 120V	Current in 277V	Current out 120V, 277V	Freq. input HZ	Power factor 120V	Power factor 277V	Operating temp.	Storage temp.	UPC
S8012	LED driver/ 2', 3', 4'/Type C/T8	1, 2	120-277	24-48	300	130	290	50/60	0.95	0.93	-20° to 55°C	-40° to 85°C	045923090127
S8013	LED driver/ 2', 3', 4'/Type C/T8	3, 4	120-277	24-48	590	230	290	50/60	0.95	0.93	-20° to 55°C	-40° to 85°C	045923090134



Linear LED T5 Type C lamps

Item Number	Lamp Description	W	CRI	Bulb Type	Base Type	Bm	CCT	Lm	M.O.L. (Inches)	Life/Hrs.	UPC	M/Case Qty
4FT T5												
S11942	23T5/LED/48-835/XD	23	82	LED	G5	220°	3500	3500	48.0	50,000	045923119422	25
S11943	23T5/LED/48-840/XD	23	82	LED	G5	220°	4000	3500	48.0	50,000	045923119439	25
S11944	23T5/LED/48-850/XD	23	82	LED	G5	220°	5000	3500	48.0	50,000	045923119446	25

LED T5 Type C drivers

Item #	Description	Lamps driven	V in	V out	Current in 120V	Current in 277V	Current out 120V, 277V	Freq. input HZ	Power factor 120V	Power factor 277V	Operating temp.	Storage temp.	UPC
S8014	LED driver/4' Type C/T5	1, 2	120-277	30-48	540	240	530	50/60	0.95	0.93	-20° to 55°C	-40° to 85°C	045923080142
S8015	LED driver/4' Type C/T5	3, 4	120-277	30-45	1020	450	530	50/60	0.98	0.96	-20° to 55°C	-40° to 85°C	045923080159

Installation

Type C drivers are designed to wire similar to instant start T8 ballasts. This feature keeps installation time to existing sockets to a minimum.

Installation requires removing existing tubes and ballasts and possible replacement of sockets. One driver can power multiple sockets in each fixture.

Satco cannot guarantee LED lamp performance using drivers other than those listed in this publication.

Components included:

Installation instructions

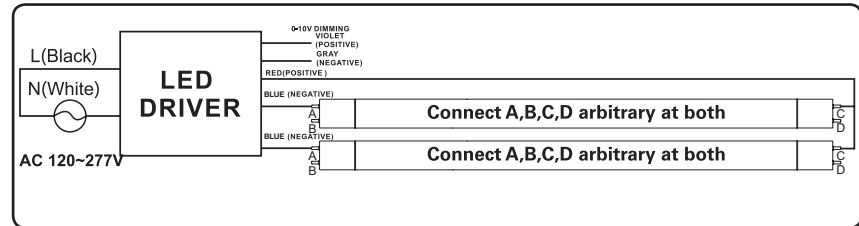
LED lamps

LED drivers

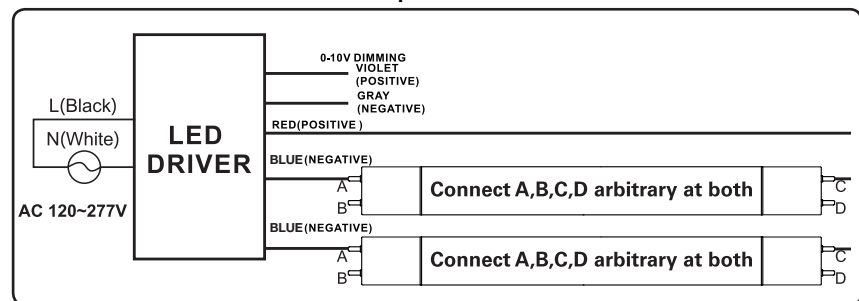
Luminaire markings (affix to luminaire)

Wiring Instruction - Electronic Ballast

Retrofit luminaire with 2 T8 lamps



Retrofit luminaire with 2 T5 lamps



See installation manual for 1, 2, 3 and 4 lamp wiring guides.

System Performance

Item Number	Product Specification	CRI	Bare Lamp Wattage	CCT	Lumens	System Wattage per Lamp				System Efficacy per Lamp	
						Driver: S8012		Driver: S8013		2-Lamp Nominal Efficacy	4-Lamp Nominal Efficacy
						2-Lamp	1-Lamp	4-Lamp	3-Lamp		
S11930, S11931, S11932, S11933	T8-8W-1200lm-2ft	>80	8W	3000K	1150lm	10W	10.5W	10W	10W	115LPW	115LPS
				4000K 5000K	1200lm					120LPW	120LPW
S11934, S11935, S11936, S11937	T8-11W-1600lm-3ft	>80	11W	3000K	1520lm	13.5W	13.5W	13W	13W	113LPW	117LPS
				4000K 5000K	1600lm					119LPW	123LPW
S11938, S11939, S11940, S11941	T8-12W-1800lm-4ft	>80	12W	3000K	1700lm	15W	15W	14.5W	14.5W	113LPW	115LPS
				4000K 5000K	180lm					120LPW	124LPW
						Driver: S8014		Driver: S8015			
S11942, S11932, S11944	T5-23W-3400lm-4ft	>80	23W	3500K	3250lm	27W	27W	25W	25W	120LPW	130LPW
				4000K 5000K	3400lm					126LPW	136LPW