

Project Name \_\_\_\_\_  
 Catalog # \_\_\_\_\_  
 Type \_\_\_\_\_  
 Notes \_\_\_\_\_



87-101

## High Bay Sensor

### with Integrated PIR & Daylight Harvesting

The DOMINO™ High Bay Sensor module is designed for high bay luminaires, combining PIR motion detection and daylight harvesting in a single compact unit. Built on Bluetooth® mesh technology with advanced occupancy sensing to enhance detection accuracy and reduce false triggers, it provides real-time lighting adjustments based on occupancy and ambient light levels—enabling intelligent, energy-efficient control across large scale commercial and industrial environments.

#### FEATURES

- Bluetooth® mesh network for wireless communication
- Direct control - no hub or gateway needed
- Built-in PIR motion and daylight harvesting sensor
- Supports mounting heights from 20-40 ft
- Compatible with 0-10V dimming systems
- Easy commissioning with DOMINO™ App (Available in IOS and Android)

#### GENERAL SPECIFICATIONS

<b>Voltage</b>	DC 12V
<b>Input Current (Amps)</b>	50mA Max
<b>Sinking Current</b>	10mA Max
<b>Operating Temperature</b>	-30°C to 55°C, -22°F to 131°F
<b>Location Rating</b>	Dry
<b>IP Rating</b>	IP40
<b>Communication Protocol</b>	Bluetooth Mesh
<b>BLE Control Node</b>	Yes
<b>Bluetooth Mesh Range</b>	100 ft
<b>Software Supported</b>	DOMINO™ App
<b>Upgradeable Firmware</b>	Yes
<b>Sensor Type</b>	Daylight Harvest, PIR Motion Sensor
<b>Sensor Field of View</b>	360°
<b>Sensor Detection Height</b>	40 ft Max
<b>Sensor Hold Delay</b>	App Controlled
<b>Sensor Standby Delay</b>	App Controlled
<b>Sensor Mounting Type</b>	Fixture Mount
<b>Dimming Technology</b>	0-10V
<b>Tuneable Capable</b>	Yes
<b>Encryption</b>	128-bit AES-CCM
<b>Cybersecurity</b>	UL1376
<b>Radio Frequency</b>	2.4GHz ± 75MHz
<b>Factory Reset Type</b>	Power Cycle

#### ORDER INFO

ITEM	DESCRIPTION	UPC
87-101	High Bay Sensor	045923871016

#### CONSTRUCTION

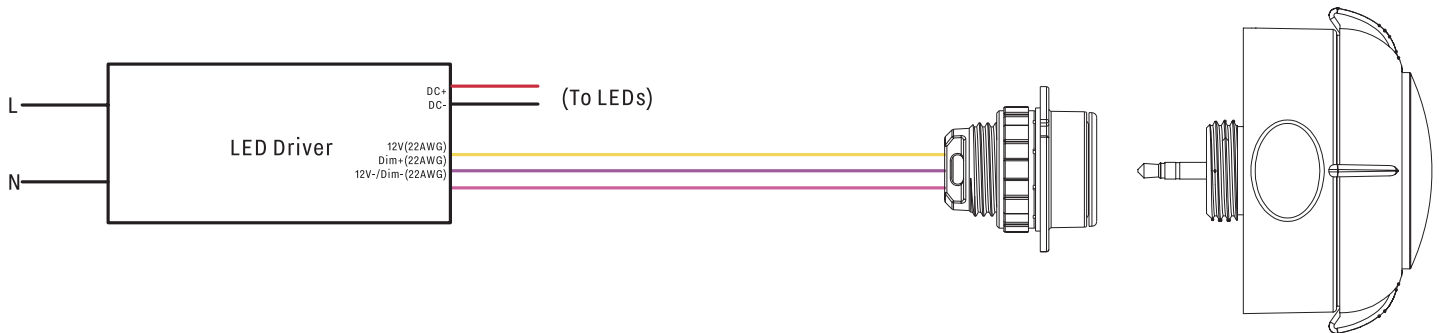
<b>Construction Material</b>	Thermoplastic, Acrylic Lens
<b>Construction Finish</b>	White
<b>Connector Port</b>	AUX

#### COMPLIANCE

<b>Safety Listing</b>	UL
<b>FCC</b>	Yes
<b>FCC ID Number</b>	2A26YLTKTVT2021
<b>ICES-005</b>	Yes
<b>DLC Classification</b>	DLC NLC Listed
<b>DLC ID</b>	N-XS2QN3
<b>Warranty</b>	5 Years

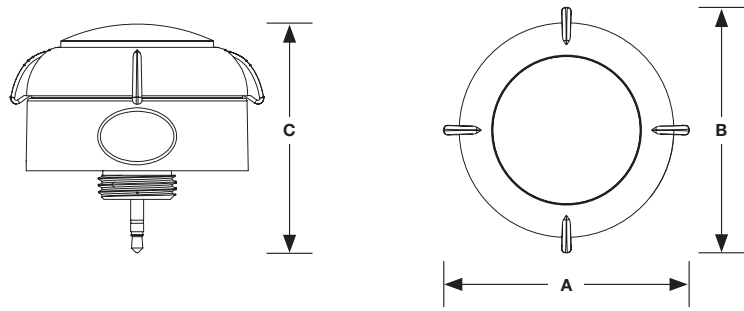


## WIRING

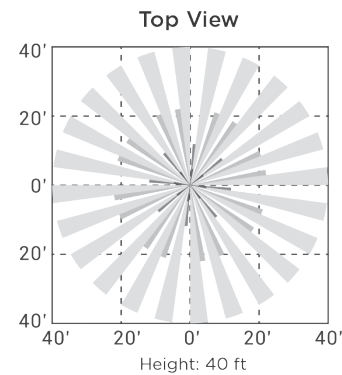
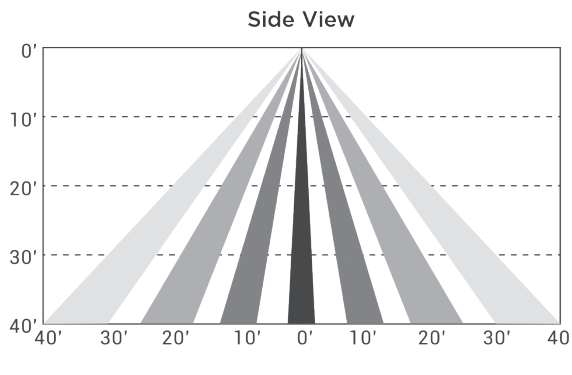


## DIMENSIONS

Length (A)	Width (B)	Height (C)
2.6" (66mm)	2.6" (66mm)	2.36" (60mm)



## COVERAGE



## COMPATIBLE WITH FIXTURES\*

68-131  
68-132

## DOWNLOADS



This device complies with Part 15 of the FCC Rules. Operation is subject to the following two conditions: (1) this device may not cause harmful interference, and (2) this device must accept any interference received, including interference that may cause undesired operation.  
CAUTION - RISK OF ELECTRIC SHOCK. Do not use if outer lamp envelope is damaged or broken.

WARNING: Some products included in this specification sheet may be subject to the warning requirements of California's Proposition 65. Please refer to your product packaging for more information.

The Bluetooth® word mark and logos are registered trademarks owned by Bluetooth SIG, Inc. and any use of such marks by SATCO Products, Inc., is under license. Other trademarks and trade names are those of their respective owners.

Specifications are subject to change without prior notice.

\*Fixture compatible SKUs are subject to change