

Project Name _____
 Catalog # _____
 Type _____
 Notes _____



87-103

Low Profile Sensor

with Integrated PIR, Daylight Harvesting & Color Tuning Control

The DOMINO™ In-Fixture sensor is a low-profile module that combines PIR motion detection, daylight harvesting, and tunable white (CCT) control for use with select flat panels, troffers, strips, wraps, and architectural luminaires. Built on Bluetooth® mesh technology with advanced occupancy sensing, it delivers real-time lighting adjustments based on occupancy and ambient light levels—enhancing accuracy, reducing false triggers, and enabling intelligent, energy-efficient control across commercial and industrial environments.

FEATURES

- Bluetooth® mesh network for wireless communication
- Direct control- no hub or gateway needed
- Built-in PIR motion and daylight harvesting sensor
- Tunable white CCT control capable
- Supports mounting heights up to 18 ft
- Easy commissioning with DOMINO™ App (Available in IOS and Android)

GENERAL SPECIFICATIONS

Voltage	DC 12V
Input Current (Amps)	25mA Max
Sinking Current	10mA Max
Operating Temperature	-30°C to 55°C, -22°F to 131°F
Location Rating	Dry
IP Rating	IP20
Communication Protocol	Bluetooth Mesh
BLE Control Node	Yes
Bluetooth Mesh Range	100 ft
Software Supported	DOMINO™ App
Upgradeable Firmware	Yes
Sensor Type	Daylight Harvest, PIR Motion Sensor
Sensor Field of View	360°
Sensor Detection Height	15 ft Max
Sensor Hold Delay	App Controlled
Sensor Standby Delay	App Controlled
Sensor Mounting Type	Fixture Mount
Dimming Technology	DOMINO™ Bluetooth Mesh
Tuneable Capable	Yes
Encryption	128-bit AES-CCM
Cybersecurity	UL1376
Radio Frequency	2.4GHz ± 75MHz
Factory Reset Type	Push Button

ORDER INFO

ITEM	DESCRIPTION	UPC
87-103	Low Profile Sensor	045923871030

CONSTRUCTION

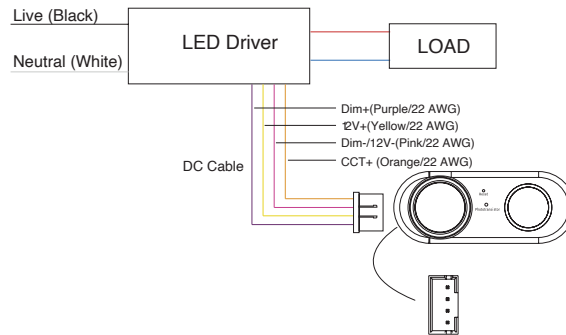
Construction Material	Thermoplastic, Acrylic Lens
Construction Finish	White
Connector Port	AUX

COMPLIANCE

Safety Listing	UL
FCC	Yes
FCC ID Number	2A26YLTKTVT2021
ICES-005	Yes
DLC Classification	DLC NLC Listed
DLC ID	N-XS2QN3
Warranty	5 Year

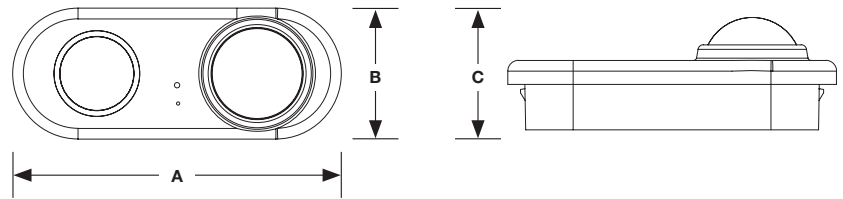


WIRING



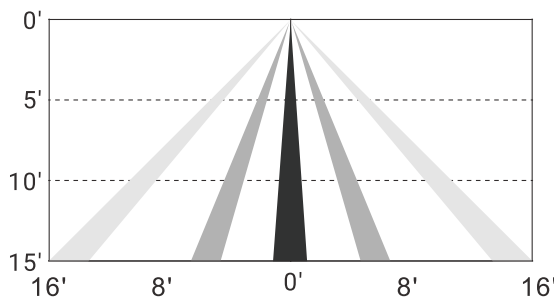
DIMENSIONS

Length (A)	Width (B)	Height (C)
2.44" (62mm)	.98" (25mm)	.31" (8mm)

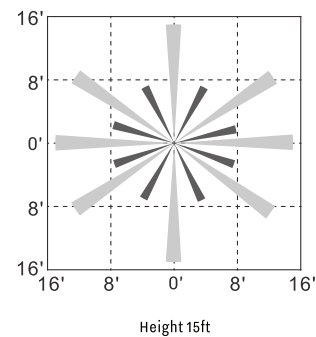


COVERAGE

Coverage Side View



Coverage Top View



COMPATIBLE WITH FIXTURES*

68-101	68-106	86-115	68-122
68-102	68-111	86-116	68-123
68-103	68-112	86-117	86-125
68-105	86-113	68-121	86-126

DOWNLOADS



This device complies with Part 15 of the FCC Rules. Operation is subject to the following two conditions: (1) this device may not cause harmful interference, and (2) this device must accept any interference received, including interference that may cause undesired operation. CAUTION - RISK OF ELECTRIC SHOCK. Do not use if outer lamp envelope is damaged or broken.

WARNING: Some products included in this specification sheet may be subject to the warning requirements of California's Proposition 65. Please refer to your product packaging for more information.

The Bluetooth® word mark and logos are registered trademarks owned by Bluetooth SIG, Inc. and any use of such marks by SATCO Products, Inc., is under license. Other trademarks and trade names are those of their respective owners.

Specifications are subject to change without prior notice.

*Fixture compatible SKUs are subject to change