

# LED FLOOD LIGHTS

BEAM SELECTABLE | FIELD SELECTABLE



**65-1540 | 65-1541**

Equipped with a 1/2" knuckle mount and separate mounting plate.



**65-1542 | 65-1543**

Equipped with a 2 3/8" slip-fitter mount



## BEAM SELECTABLE

The SATCO|NUVO LED Beam Selectable Flood Lights deliver adaptable outdoor illumination with precision-controlled light distribution. Beam selectability offers 7Vx6H, 6Vx6H, or 5Vx5H distributions for optimized coverage. Fixtures also feature 3 CCT selectability (3000K/4000K/5000K) and four selectable wattage package models, producing lumen outputs from approximately 2,000 lumens in the smallest footprint to 47,000 lumens in the largest. Constructed with die-cast aluminum housings and glass lenses in a bronze finish, these flood lights are IP65 and IK07 rated, DLC 6.0 Listed, supporting evolving efficiency standards, and suitable for wet locations. All models operate on 120-347V, include an integrated by-passable photocell, and offer size-appropriate mounting options, with additional mounting accessories available separately. A 50,000-hour rated life and 5-year warranty ensure long-term performance.



**BEAM SELECTABLE: 7Vx6H / 6Vx6H / 5Vx5H**

**DLC PREMIUM LISTED**

**MULTIPLE WATTAGE PACKAGES AVAILABLE**

**3 CCT SELECTABLE: 3000K/4000K/5000K**

**INTEGRATED BY-PASSABLE PHOTOCELL**

### SUGGESTED APPLICATIONS

Commercial, Residential, Loading Docks, Site Lighting, Wall Wash, Pole Lighting



**GENERAL SPECIFICATIONS**

**Input Voltage:** 120V-347V

**Frequency:** 50/60Hz

**Power Factor:** >0.9

**THD %:** <20%

**Dimming:** 0-10V Dimmable

**Surge Protection Rating:** 6kV

**CRI:** 80

**CCT Selectable:** 3000K/4000K/5000K

**BUG Rating:** B4-U0-G5

**Location Rating :** Wet

**IP Rating :** IP65

**IK Rating :** IK07

**Ambient Operating Temperature:** -40°C (-40°F) to +50°C (+122°F)

**Housing Material:** Die-Cast Aluminum

**Lens Material:** Glass

**Finish:** Bronze

**Functional Life:** 50,000 Hours

**Warranty:** 5 Years



**ITEM SPECIFICATIONS / ORDER INFO**

Item	Lumens	Wattage Selectable	Input Current	Beam Selectable	Efficacy	DLC ID
65-1540	1998-5292	35W/25W/15W	0.29-0.10/0.21-0.07/0.13-0.04A	135°x125°/120°x120°/90°x90°	up to 153 LPW	S-N5DB5B
65-1541	6757-11846	80W/60W/45W	0.67-0.23/0.50-0.17/0.38-0.13A	135°x125°/120°x120°/90°x90°	up to 150 LPW	S-00T2FY
65-1542	15024-22754	150W/125W/100W	1.25-0.43/1.04-0.36/0.83-0.29A	135°x125°/120°x120°/90°x90°	up to 151 LPW	S-CYKVFG
65-1543	29611-47273	300W/250W/200W	2.50-0.86/2.08-0.72/1.67-0.58A	135°x125°/110°x110°/95°x95°	up to 157 LPW	S-2Z9ZF6

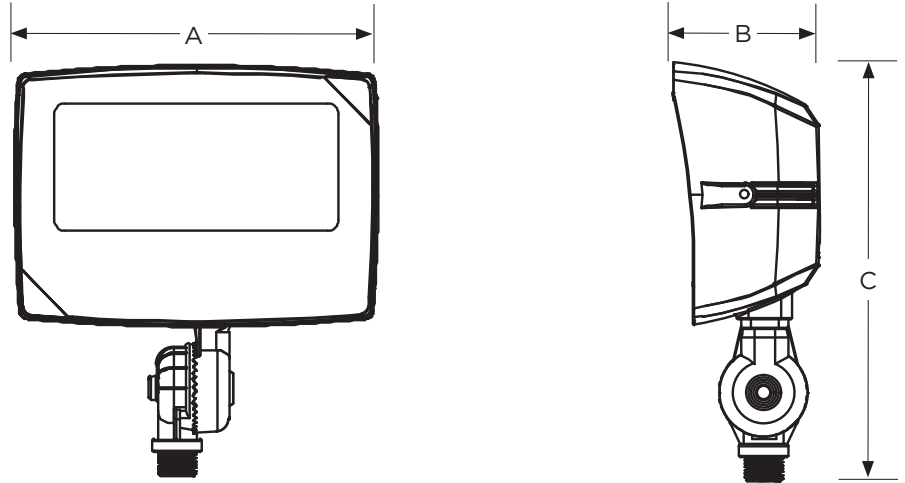
**OPTIONAL ACCESSORIES (SOLD SEPARATELY)**

Item	Description	Finish	Image
<b>FOR USE WITH 65-1540</b>			
65-1545	Yoke Mount for Beam Selectable 15/25/35 Watt Flood Light	Bronze	
<b>FOR USE WITH 65-1541</b>			
65-1546	Yoke Mount for Beam Selectable 45/60/80 Watt Flood Light	Bronze	
<b>FOR USE WITH 65-1542</b>			
65-1547	Yoke Mount for Beam Selectable 100/125/150 Watt Flood Light	Bronze	
<b>FOR USE WITH 65-1543</b>			
65-1548	Yoke Mount for Beam Selectable 200/250/300 Watt Flood Light	Bronze	
<b>FOR USE WITH 65-1540 &amp; 65-1541</b>			
65-1549	Trunnion Mount for 35-80 Watt Beam Selectable Flood Light	Bronze	
<b>FOR USE WITH 65-1542 &amp; 65-1543</b>			
65-1550	Trunnion Mount for 150-320 Watt Beam Selectable Flood Light	Bronze	
<b>FOR USE WITH ALL SKUS (65-1540 - 65-1543)</b>			
65-1551	Direct Arm Mount for 100-320 Watt Beam Selectable	Bronze	
65-1552	Universal Mount for 100-320 Watt Beam Selectable	Bronze	
65-1553	Fixed Mount Bracket for Beam Selectable Fixtures	Bronze	

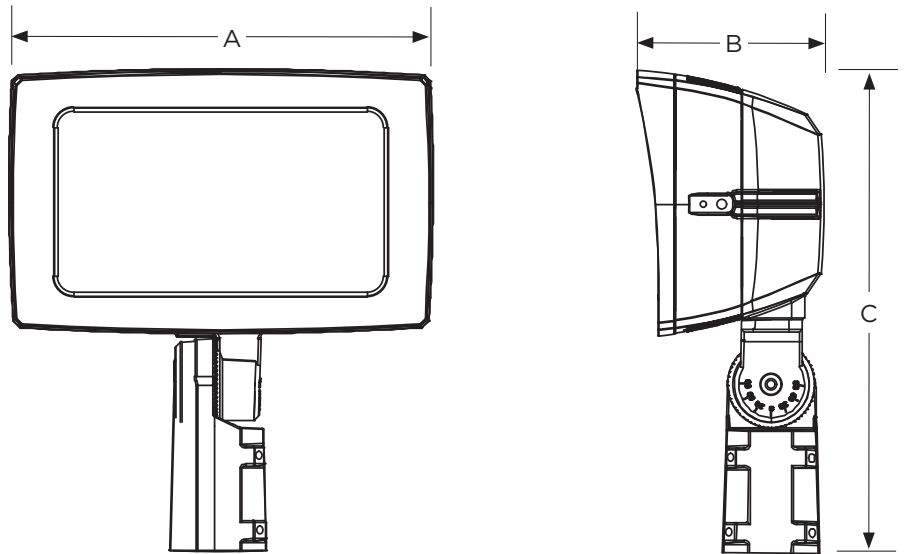
**DIMENSIONS / WEIGHTS**

Item	Length (A)	Width (B)	Height (C)	Weight
65-1540	7.80"	3.15"	8.80"	3.26 lbs
65-1541	9.76"	3.62"	9.74"	4.80 lbs
65-1542	12.51"	5.57"	14.22"	10.71 lbs
65-1543	16.35"	6.74"	17.00"	17.24 lbs.

**65-1540 | 65-1541**



**65-1542 | 65-1543**



**FEATURES**



Beam Selectable Switch



CCT and Wattage Switches



IK07 Impact Resistant Lens



Integrated by-passable Photocell

This device complies with Part 15 of the FCC Rules. Operation is subject to the following two conditions: (1) this device may not cause harmful interference, and (2) this device must accept any interference received, including interference that may cause undesired operation.

**WARNING:** Some products included in this specification sheet may be subject to the warning requirements of California's Proposition 65. Please refer to your product packaging for more information.

Meets requirements of ICES-005 issue 5 class A for use in commercial applications.

Fixture may not be compatible with all dimmers. See [satco.com](http://satco.com) for details.

Specifications are subject to change without prior notice.

Visit [satco.com/service/warranty](http://satco.com/service/warranty) for complete warranty details.

Photometric reports for all configurations are available at [satco.com](http://satco.com).