

# LED AREA LIGHT

BEAM SELECTABLE | FIELD SELECTABLE



**BEAM SELECTABLE:  
TYPE III/IV/V**

**DLC PREMIUM LISTED**

**120-277V & 277-480V  
VERSIONS**

**MULTIPLE WATTAGE  
PACKAGES AVAILABLE**

**3 CCT SELECTABLE:  
3000K/4000K/5000K**

**INTEGRATED SENSOR PORT**

**SUGGESTED APPLICATIONS**

Parking Lots, Parks,  
Warehouses, Commercial,  
Arenas, Walkways



## BEAM SELECTABLE

SATCO|NUVO's LED Beam Selectable Area Lights deliver high-performance outdoor illumination with precision-controlled distribution. Fixtures feature selectable beams of Type III, Type IV, or Type V and 3 selectable CCT (3000K/4000K/5000K) to tailor coverage and color temperature to each application. Two compact models offer selectable wattages of 100W, 120W, or 150W, while larger footprint options provide 200W, 240W, or 300W outputs, producing lumen packages ranging from 15,488 up to 47,341 lumens. Each size is available in 120-277V or 277-480V configurations to support a wide range of site requirements. Constructed of die-cast aluminum with IK08 rated polycarbonate lenses and a bronze finish, all fixtures are IP65 rated, wet location listed, DLC 6.0 Listed, supporting evolving efficiency standards, and include an integrated sensor port. A standard 2-3/8" slip fitter mount is included, with additional mounting options and accessories available separately, and all models are backed by a 50,000 hour rated life.



**120-  
277V**

**277-  
480V**

**0-10V  
DIMMING**

**WET  
LOCATION**

**IP  
65**

**IK  
08**

**6KV  
SURGE  
PROTECTION**

**DLC  
LISTED  
PREMIUM**

**50,000  
HOURS**

**5YEAR  
WARRANTY**

**TRUSTED  
NB  
WARRANTY**

**GENERAL SPECIFICATIONS**

**Frequency:** 50/60Hz

**Power Factor:** >0.9

**THD:** <20%

**Dimming:** 0-10V Dimmable

**Surge Protection Rating:** 6kV

**CRI:** 80

**CCT Selectable:** 3000K/4000K/5000K

**Beam Selectable:** Type III/IV/V

**Location Rating :** Wet

**IP Rating :** IP65

**IK Rating :** IK08

**Ambient Operating Temperature:** -40°C (-40°F) to +50°C (+122°F)

**Housing Material:** Die-Cast Aluminum

**Lens Material:** Polycarbonate (PC)

**Finish:** Bronze

**Functional Life:** 50,000 Hours

**Warranty:** 5 Years



**ITEM SPECIFICATIONS / ORDER INFO**

Item	Range Voltage	Lumens	Wattage Selectable	Input Current	BUG Rating	Efficacy	DLC ID
65-1525	120V-277V	15536-22951	150W/120W/100W	1.25-0.54/0.83-0.36/0.67-0.29A	B3-U0-G3	up to 155 LPW	S-1Z34M4
65-1526	120V-277V	31048-47341	300W/240W/200W	2.50-1.08/2.00-0.87/1.67-0.72A	B4-U0-G4	up to 157 LPW	S-C2QN48
65-1527	277V-480V	15488-22855	150W/120W/100W	0.54-0.31/0.36-0.21/0.29-0.17A	B3-U0-G3	up to 154 LPW	S-GPOL4W
65-1528	277V-480V	31289-47198	300W/240W/200W	1.08-0.63/0.87-0.50/0.72-0.42A	B4-U0-G4	up to 157 LPW	S-8M9WQ2

**OPTIONAL ACCESSORIES (SOLD SEPARATELY)**

Item	Description
COMPATIBLE WITH 65-1525 & 65-1527	
65-1530	AREA LIGHT YOKE MOUNT 100-150W
65-1536	CUTOFF SHIELD 100W - 150W
COMPATIBLE WITH 65-1526 & 65-1528	
65-1531	AREA LIGHT YOKE MOUNT 200-300W
65-1537	CUTOFF SHIELD 200W - 300W
COMPATIBLE WITH 65-1525 & 65-1526	
86-240	PHOTOCELL 120-277V NEMA-3
COMPATIBLE WITH 65-1527 & 65-1528	
86-241	PHOTOCELL 277-480V NEMA-3
COMPATIBLE WITH ALL SKUS	
65-1532	AREA LIGHT TRUNNION MOUNT
65-1533	DIRECT ARM MOUNT
65-1534	UNIVERSAL MOUNT
65-1535	FIXED MOUNT BRACKET
65-1538	WALL MOUNT BRACKET
86-237	PROGRAMMING REMOTE
86-238	ADD ON PIR SENSOR/12 METER
86-239	ADD ON MW SENSOR/15 METER



AREA LIGHT YOKE MOUNT



CUTOFF SHIELD



PHOTOCELL 120-277V NEMA-3



PHOTOCELL 277-480V NEMA-3



AREA LIGHT TRUNNION MOUNT



DIRECT ARM MOUNT



UNIVERSAL MOUNT



FIXED MOUNT BRACKET



WALL MOUNT BRACKET



PROGRAMMING REMOTE



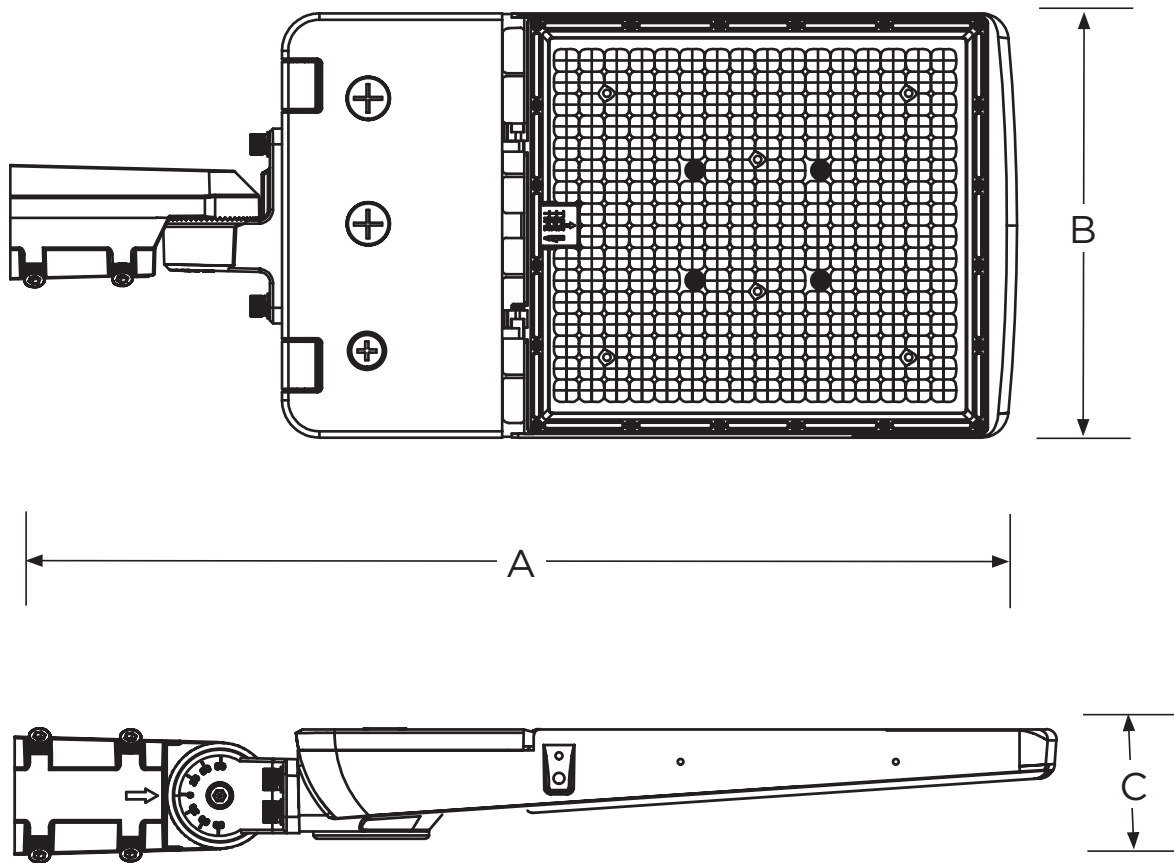
ADD ON PIR SENSOR/12 METER



ADD ON MW SENSOR/15 METER

**DIMENSIONS / WEIGHTS**

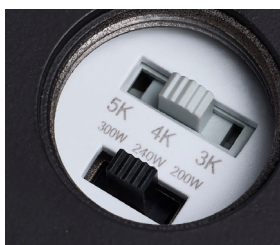
Item	Length (A)	Width (B)	Height (C)	Weight
65-1525	25.20"	10.60"	3.20"	10.09 lbs
65-1526	29.20"	14.00"	3.20"	13.91 lbs
65-1527	25.20"	10.60"	3.20"	10.09 lbs
65-1528	29.20"	14.00"	3.20"	13.91 lbs



**FEATURES**



Beam Selectable Switch



CCT & Wattage Switches



IK08 Impact Resistant Lens



NEMA-3 Socket & Shorting Cap



2 3/8" Slip Fitter Mount

This device complies with Part 15 of the FCC Rules. Operation is subject to the following two conditions: (1) this device may not cause harmful interference, and (2) this device must accept any interference received, including interference that may cause undesired operation.

WARNING: Some products included in this specification sheet may be subject to the warning requirements of California's Proposition 65. Please refer to your product packaging for more information.

Meets requirements of ICES-005 issue 5 class A for use in commercial applications.

Fixture may not be compatible with all dimmers. See [satco.com](http://satco.com) for details.

Specifications are subject to change without prior notice.

Photometric reports for all configurations are available at [satco.com](http://satco.com).

Visit [satco.com/service/warranty](http://satco.com/service/warranty) for complete warranty details