

LED SEMI CUTOFF WALL PACK

FIELD SELECTABLE



**FIELD SELECTABLE:
WATTAGE AND CCT**

RANGE VOLTAGE 120V-277V

**INTEGRATED BYPASSABLE
PHOTOCELL**

SUGGESTED APPLICATIONS

- Walkways
- Warehouses
- Office Buildings
- Schools
- Hospitality

Designed to provide broad, effective illumination for commercial exteriors, this LED Semi Cutoff Wall Pack combines performance, flexibility, and durability in one dependable solution. Field-selectable technology allows for on-site customization of light levels and color temperature, making it easy to adapt the fixture to the needs of the space. A built-in, bypassable photocell enables automatic dusk-to-dawn operation, while dimmer compatibility offers additional energy management options. The rugged die-cast aluminum housing with a corrosion-resistant bronze finish and impact-resistant polycarbonate lens ensures long-lasting reliability in demanding outdoor environments. With its semi-cutoff distribution, this fixture delivers wider forward light spread and increased vertical illumination.



GENERAL SPECIFICATIONS

Input Voltage: 120V-277V

Frequency: 50/60Hz

Power Factor: >0.9

THD: 11.60%

Dimmable: 0-10V Dimmable Down to 20%

Surge Protection Rating: 4kV

Integrated Photocell: Bypassable

Efficacy: Up to 182 LPW

CRI: 80+

CCT Selectable: 3000K/4000K/5000K

Location Rating: Wet

IP Rating: IP65

IK Rating: IK08

Ambient Operating Temperature: -40°C (-40°F) to +40°C (+104°F)

Mounting Options: Wall

Construction: Die-Cast Aluminum

Finish: Bronze

Lens: Impact Resistant Polycarbonate

Functional Life: 50,000 Hours

Warranty: 5 Years

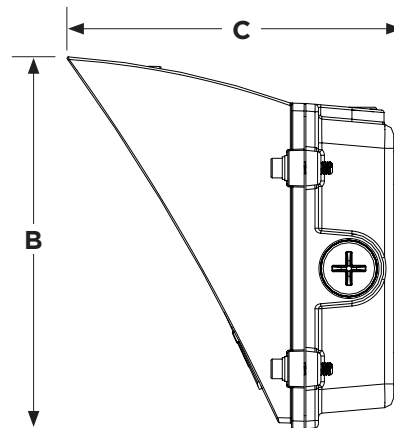
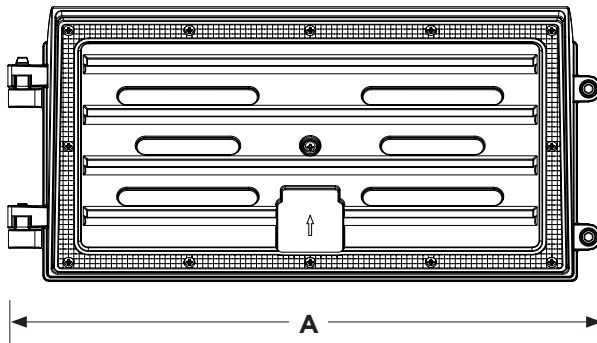


ITEM SPECIFICATIONS / ORDER INFO

Item	Max Lumens	Wattage Selectable	HID Replacement Wattage	Input Current @120V/277V	Beam Spread	DLC ID
65-942	12436	80W/60W/45W	100W-250W	0.38-0.16/0.50-0.22/0.67-0.29A	55°x105°	S-VC4ZR0

DIMENSIONS / WEIGHTS

Item	Width (A)	Height (B)	Extends (C)	Weight
65-942	12.62"	5.83"	5.26"	3.31 Lbs.



FEATURES



CCT Selectable Switch
Wattage Selectable Switch
Photocell On/Off Switch



Integrated Bypassable Photocell



IK08 Impact Resistant Lens

This device complies with Part 15 of the FCC Rules. Operation is subject to the following two conditions: (1) this device may not cause harmful interference, and (2) this device must accept any interference received, including interference that may cause undesired operation.

WARNING: Some products included in this specification sheet may be subject to the warning requirements of California's Proposition 65. Please refer to your product packaging for more information.

Meets requirements of ICES-005 issue 5 class A for commercial applications.

See satco.com for a list of compatible dimmers.

Replacement wattage shown depends on application and fixture.

Specifications are subject to change without prior notice.

Visit satco.com/service/warranty for complete warranty details.