

Project Name _____
 Catalog # _____
 Type _____
 Notes _____

Wireless Network Controlled Center Basket Troffer Retrofit Door Kits

With PIR, Daylight Harvesting And Color Tuning Sensor



FEATURES

- Bluetooth® mesh network for wireless communication
- Easy commissioning with Domino® App (Available in IOS and Android)
- App controlled tunable white (CCT) Control
- Integrated low profile sensor
- Minimal Impact Retrofit Applications
- Reduces Upgrade Material Waste

ORDER INFO

| Item | Watts | Size | Lumens | Input Current | DLC ID | UPC |
|--------|-------|-------|-------------|---------------|----------|--------------|
| 68-118 | 40W | 2'X2' | 2400L-4800L | 0.37A | S-PKZN95 | 045923413575 |
| 68-119 | 50W | 2'X4' | 3600L-6000L | 0.46A | S-7D40DJ | 045923413599 |
| 68-120 | 40W | 1'X4' | 2400L-4800L | 0.37A | S-RJBGDY | 045923413582 |

GENERAL SPECIFICATIONS

| | |
|-----------------------|----------------|
| Input Voltage | 120V-347V |
| Frequency | 50/60Hz |
| Power Factor, THD% | >0.9, <20% |
| CRI | 80 |
| Efficacy | Up to 120 LPW |
| Tunable White Capable | Yes |
| CCT | 3500K-5000K |
| Dimmable | App Controlled |
| Dimmable Down To | ≤ 10% |

| | |
|-------------------------|---------------------------------|
| Location Rating | Damp |
| IP Rating | IP20 |
| Surge Protection Rating | 2kV |
| Operating Temperature | -4°F to +113°F (-20°C to +45°C) |

| | |
|-----------------------|--------------|
| Functional Life (L70) | 50,000 Hours |
| Warranty | 5 Years |

CONSTRUCTION

| | |
|------------------|--------------------|
| Housing Material | Steel |
| Trim Material | N/A |
| Lens Material | Polycarbonate (PC) |
| Lens Finish | White |

COMPLIANCE

| | |
|--------------------|----------|
| Safety Listing | cETLus |
| FCC Compliant | Yes |
| ICES-005 Compliant | Yes |
| DLC Classification | Standard |

SENSOR SPECIFICATIONS*

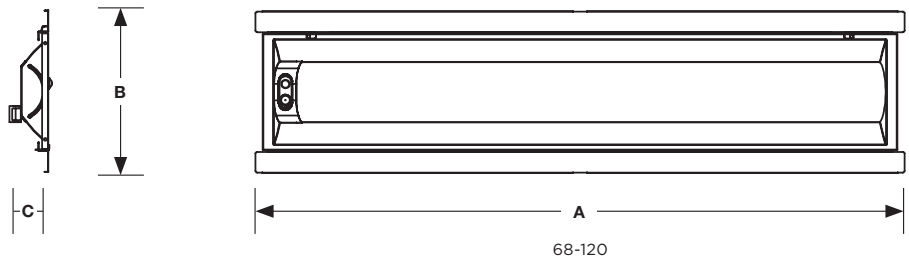
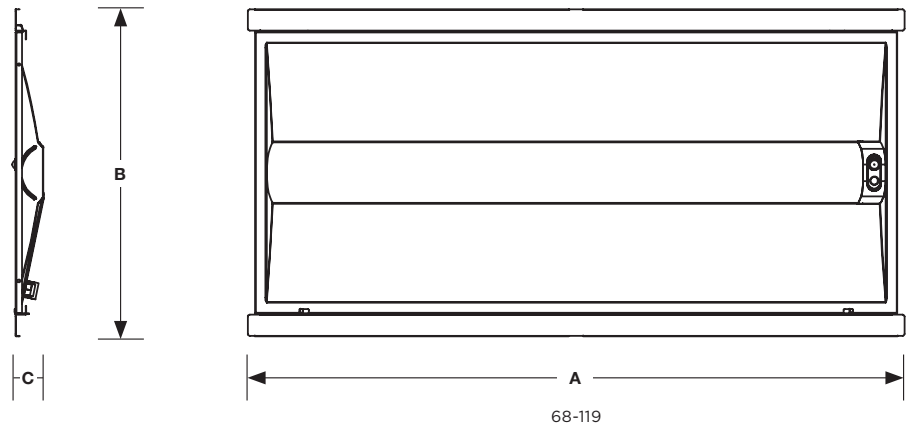
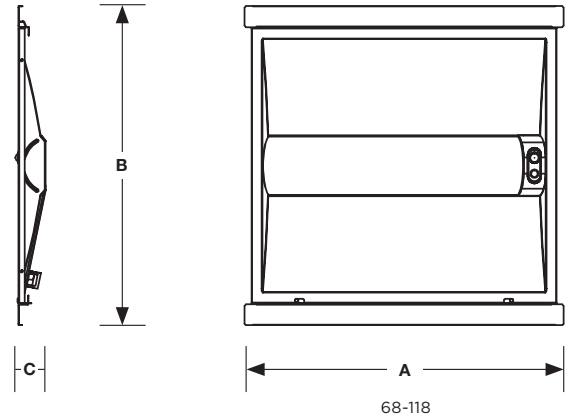
| | |
|-------------------------|-------------------------------------|
| Sensor Type | Daylight Harvest, PIR Motion Sensor |
| Sensor Field of View | 360° |
| Sensor Detection Height | 15 ft Max |
| Sensor Hold Delay | App Controlled |
| Sensor Standby Delay | App Controlled |
| Sensor Mounting Type | Fixture Mount |

*Additional Sensor information on page 3



DIMENSIONS

| Item | Length (A) | Width (B) | Height (C) | Weight |
|--------|------------|-----------|------------|-----------|
| 68-118 | 22.76" | 20.47" | 2.03" | 4.08 Lbs. |
| 68-119 | 46.75" | 20.47" | 2.03" | 8.40 Lbs. |
| 68-120 | 46.75" | 8.50" | 2.03" | 2.54 Lbs. |



DOWNLOADS



This device complies with Part 15 of the FCC Rules. Operation is subject to the following two conditions: (1) this device may not cause harmful interference, and (2) this device must accept any interference received, including interference that may cause undesired operation.
 CAUTION - RISK OF ELECTRIC SHOCK. Do not use if outer lamp envelope is damaged or broken.

WARNING: Some products included in this specification sheet may be subject to the warning requirements of California's Proposition 65. Please refer to your product packaging for more information.

The Bluetooth® word mark and logos are registered trademarks owned by Bluetooth SIG, Inc. and any use of such marks by SATCO Products, Inc., is under license. Other trademarks and trade names are those of their respective owners.

Specifications are subject to change without prior notice.



87-103

Low Profile Sensor

with Integrated PIR, Daylight Harvesting & Color Tuning Control

The DOMINO™ In-Fixture sensor is a low-profile module that combines PIR motion detection, daylight harvesting, and tunable white (CCT) control for use with select flat panels, troffers, strips, wraps, and architectural luminaires. Built on Bluetooth® mesh technology with advanced occupancy sensing, it delivers real-time lighting adjustments based on occupancy and ambient light levels—enhancing accuracy, reducing false triggers, and enabling intelligent, energy-efficient control across commercial and industrial environments.

FEATURES

- Bluetooth® mesh network for wireless communication
- Direct control- no hub or gateway needed
- Built-in PIR motion and daylight harvesting sensor
- Tunable white CCT control capable
- Supports mounting heights up to 18 ft
- Easy commissioning with DOMINO™ App (Available in IOS and Android)

GENERAL SPECIFICATIONS

| | |
|------------------------------|-------------------------------|
| Voltage | DC 12V |
| Input Current (Amps) | 25mA Max |
| Sinking Current | 10mA Max |
| Operating Temperature | -30°C to 55°C, -22°F to 131°F |
| Location Rating | Dry |
| IP Rating | IP20 |

| | |
|-------------------------------|----------------|
| Communication Protocol | Bluetooth Mesh |
| BLE Control Node | Yes |
| Bluetooth Mesh Range | 100 ft |
| Software Supported | DOMINO™ App |
| Upgradeable Firmware | Yes |

| | |
|--------------------------------|-------------------------------------|
| Sensor Type | Daylight Harvest, PIR Motion Sensor |
| Sensor Field of View | 360° |
| Sensor Detection Height | 15 ft Max |
| Sensor Hold Delay | App Controlled |
| Sensor Standby Delay | App Controlled |
| Sensor Mounting Type | Fixture Mount |

| | |
|---------------------------|------------------------|
| Dimming Technology | DOMINO™ Bluetooth Mesh |
| Tuneable Capable | Yes |

| | |
|---------------------------|-----------------|
| Encryption | 128-bit AES-CCM |
| Cybersecurity | UL1376 |
| Radio Frequency | 2.4GHz ± 75MHz |
| Factory Reset Type | Push Button |

ORDER INFO

| ITEM | DESCRIPTION | UPC |
|--------|--------------------|--------------|
| 87-103 | Low Profile Sensor | 045923871030 |

CONSTRUCTION

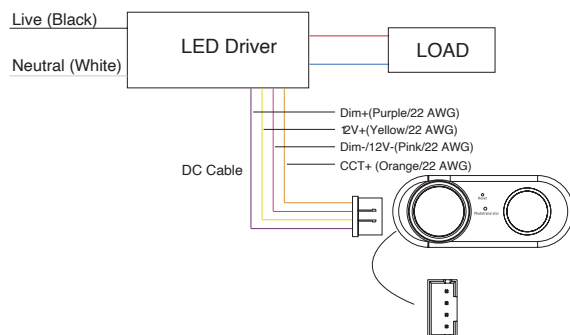
| | |
|------------------------------|-----------------------------|
| Construction Material | Thermoplastic, Acrylic Lens |
| Construction Finish | White |
| Connector Port | AUX |

COMPLIANCE

| | |
|---------------------------|-----------------|
| Safety Listing | UL |
| FCC | Yes |
| FCC ID Number | 2A26YLTKTVT2021 |
| ICES-005 | Yes |
| DLC Classification | DLC NLC Listed |
| DLC ID | N-XS2QN3 |
| Warranty | 5 Year |

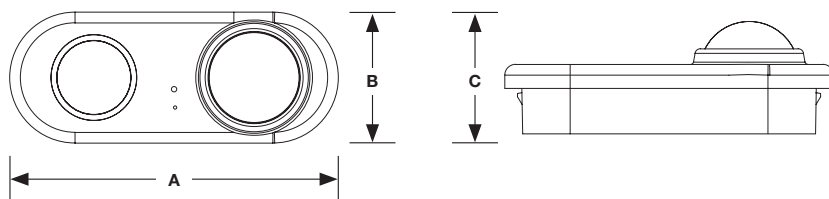


WIRING



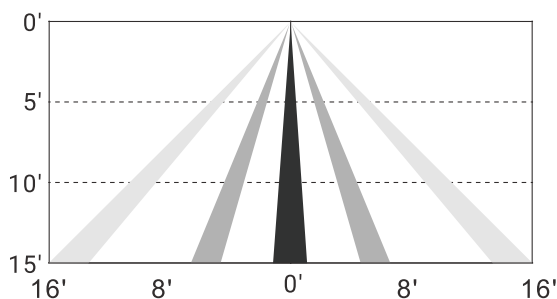
DIMENSIONS

| Length (A) | Width (B) | Height (C) |
|--------------|-------------|------------|
| 2.44" (62mm) | .98" (25mm) | .31" (8mm) |

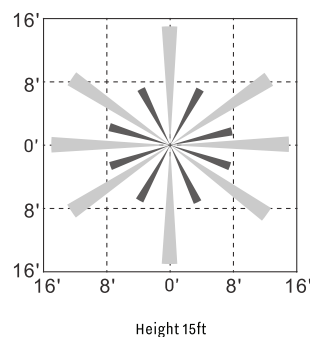


COVERAGE

Coverage Side View



Coverage Top View



COMPATIBLE WITH FIXTURES*

| | | | |
|--------|--------|--------|--------|
| 68-101 | 68-106 | 86-115 | 68-122 |
| 68-102 | 68-111 | 86-116 | 68-123 |
| 68-103 | 68-112 | 86-117 | 86-125 |
| 68-105 | 86-113 | 68-121 | 86-126 |

DOWNLOADS



This device complies with Part 15 of the FCC Rules. Operation is subject to the following two conditions: (1) this device may not cause harmful interference, and (2) this device must accept any interference received, including interference that may cause undesired operation. CAUTION - RISK OF ELECTRIC SHOCK. Do not use if outer lamp envelope is damaged or broken.

WARNING: Some products included in this specification sheet may be subject to the warning requirements of California's Proposition 65. Please refer to your product packaging for more information.

The Bluetooth® word mark and logos are registered trademarks owned by Bluetooth SIG, Inc. and any use of such marks by SATCO Products, Inc., is under license. Other trademarks and trade names are those of their respective owners.

Specifications are subject to change without prior notice.

*Fixture compatible SKUs are subject to change